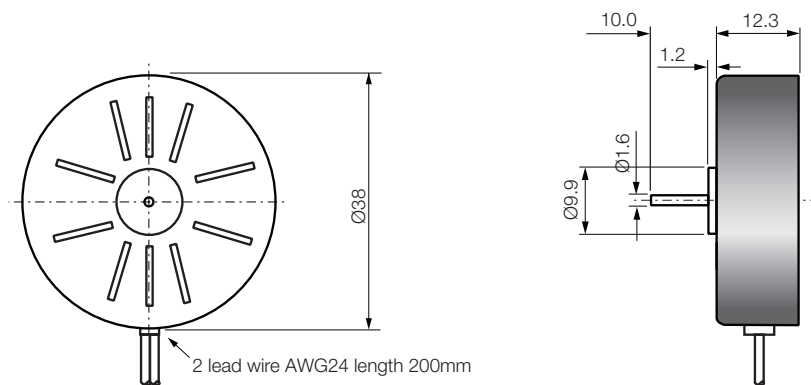


AC Motors

3813

Issue 04

Units: mm



General Specification

Frequency	50/60Hz
Speed	250/300rpm
Input power	3W
Running torque	0.78mNm
	@ nominal voltage and 50Hz
Dielectric strength	1500V AC 1 min.
Weight	50g

Voltage* (V)	Current @50Hz (mA)	Lead colours
240	22	Brown Blue
12	440	Brown Brown

* Please contact Rotalink if you wish to run this motor at other voltages

Motor Options

Clockwise, anti-clockwise
Alternative voltages

Contact:

www.rotalink.com
info@rotalink.com
T: +44 (0)1460 72000
F: +44 (0)1460 74278

Rotalink Limited
Cropmead, Crewkerne
Somerset TA18 7HQ, UK

www.rotalink.com