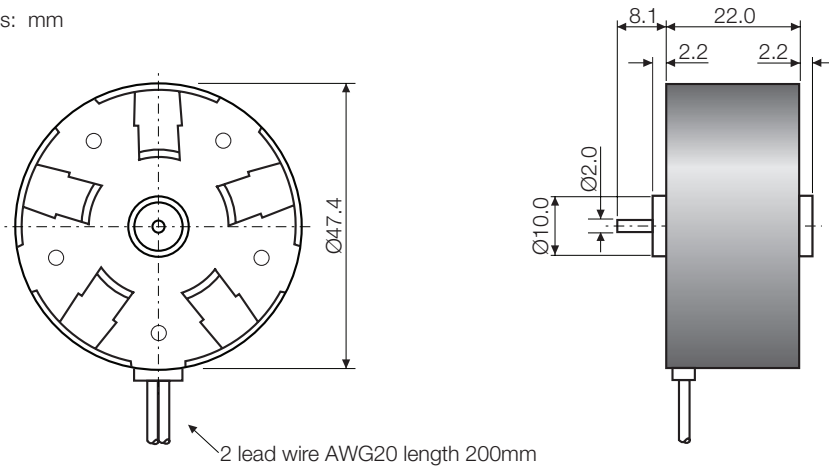


# AC Motors

## 4722 Series

Issue 10:CN4058

Units: mm



### General Specification

Frequency	50/60Hz
Speed	600/720rpm
Input power	4W
Running torque @ nominal V and 50Hz	
4722	16mNm
4722L	6mNm
4722H	22mNm
Temperature rise	60°C
Ambient temperature range	0 to 50°C
Dielectric strength	2000V AC 1 sec.
Insulation class	E
Reliability	5x10 <sup>6</sup> starts (min)
Weight	150g

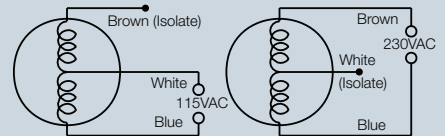
Voltage* (V)	Current @50Hz (mA)	Lead colours
230	20	Brown Blue
115	40	White Blue
48	100	Brown White
24	200	Blue Blue
12	400	Brown Brown
6	800	White White
230/115	20/40	Brown Blue White

\* Please contact Rotalink if you wish to run this motor at other voltages

### Motor Options

Clockwise, anti-clockwise  
Alternative voltages  
Alternative lead lengths  
UL & cULus recognition available for  
4722 / 4722H / 4722L  
(number E63763)

### Dual voltage Connections



### Contact:

[www.rotalink.com](http://www.rotalink.com)  
[info@rotalink.com](mailto:info@rotalink.com)  
T: +44 (0)1460 72000

Rotalink Limited  
Cropmead, Crewkerne  
Somerset TA18 7HQ, UK

[www.rotalink.com](http://www.rotalink.com)