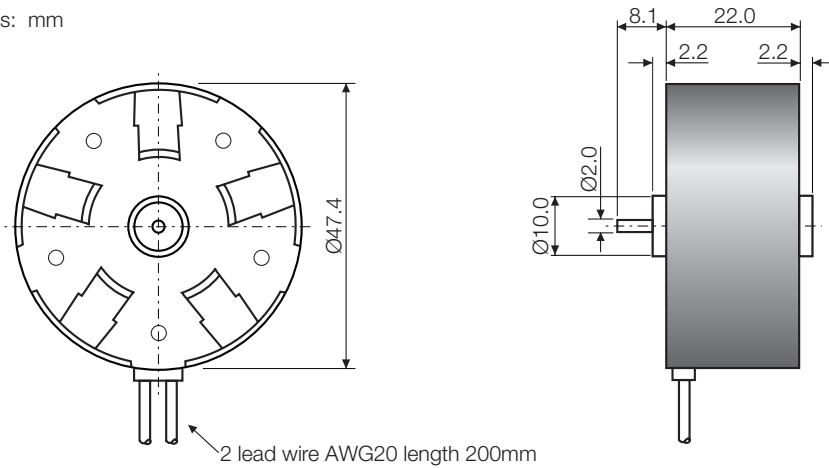


AC Motors

4722 Series

Issue 8:CN2344

Units: mm



General Specification

Frequency	50/60Hz
Speed	600/720rpm
Input power	4W
Running torque @ nominal V and 50Hz	
4722	19mNm
4722L	7mNm
4722H	25mNm
Temperature rise	60°C
Ambient temperature range	0 to 50°C
Dielectric strength	2000V AC 1 sec.
Insulation class	E
Reliability	5x10 ⁶ starts (min)
Weight	150g

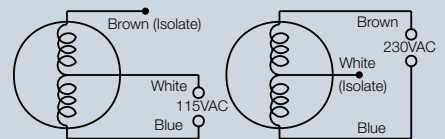
Voltage* (V)	Current @50Hz (mA)	Lead colours
240	20	Brown Blue
110	40	White Blue
48	100	Brown White
24	200	Blue Blue
12	400	Brown Brown
6	800	White White
230/115	20/40	Brown Blue White

* Please contact Rotalink if you wish to run this motor at other voltages

Motor Options

Clockwise, anti-clockwise
Alternative voltages
Alternative lead lengths
UL & cULus recognition available for
4722 / 4722H / 4722L
(number E63763)

Dual voltage Connections



Contact:

www.rotalink.com
info@rotalink.com
T: +44 (0)1460 72000
F: +44 (0)1460 74278

Rotalink Limited
Cropmead, Crewkerne
Somerset TA18 7HQ, UK

www.rotalink.com