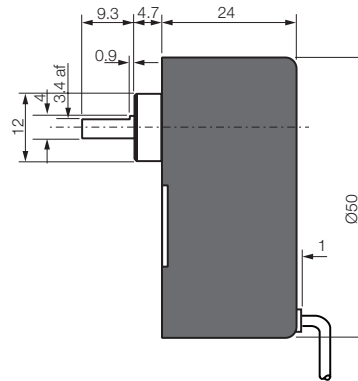
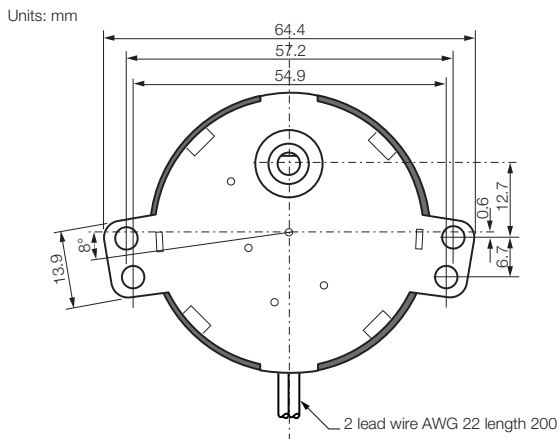


AC Motors

5024

Issue 02



Rotalink

Miniature Motors, Transmission and Control

General Specification

Frequency	50/60Hz
Input power	4W
Temperature rise	55°C
Insulation resistance	100MΩ(min) at 500VDC
Dielectric strength	1800V AC 1 sec.
Weight	137g

Model	Voltage** V	Speed rpm	Torque*** mNm	Lead colours
5024-1250-1*	12	1/1.2	500	Brown/Brown
5024-1250-2.5*	12	2.5/3	450	Brown/Brown
5024-1250-10*	12	10/12	350	Brown/Brown
5024-1250-30*	12	30/36	125	Brown/Brown
5024-1250-60*	12	60/72	70	Brown/Brown
5024-11050-1*	110	1/1.2	500	Blue/White
5024-11050-2.5*	110	2.5/3	450	Blue/White
5024-11050-10*	110	10/12	350	Blue/White
5024-11050-30*	110	30/36	125	Blue/White
5024-11050-60*	110	60/72	70	Blue/White
5024-24050-1*	240	1/1.2	500	Blue/White
5024-24050-2.5*	240	2.5/3	450	Blue/Brown
5024-24050-10*	240	10/12	350	Blue/Brown
5024-24050-30*	240	30/36	125	Blue/Brown
5024-24050-60*	240	60/72	70	Blue/Brown

Motor Options

Clockwise, anti-clockwise and bi-directional

Contact:

www.rotalink.com
info@rotalink.com
T: +44 (0)1460 72000
F: +44 (0)1460 74278

Rotalink Limited
Cropmead, Crewkerne
Somerset TA18 7HQ, UK

www.rotalink.com

* C = clockwise A = anti-clockwise B = bi-directional

** Please contact Rotalink if you wish to run this motor at other voltages

*** @ nominal voltage and 50Hz