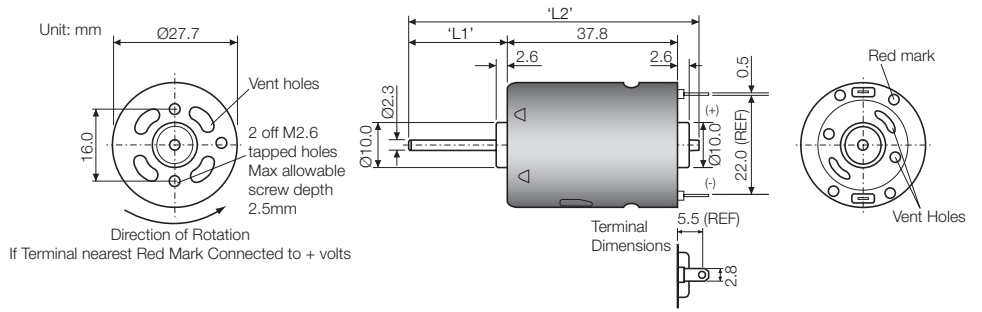


DC Motors

D2838-12360

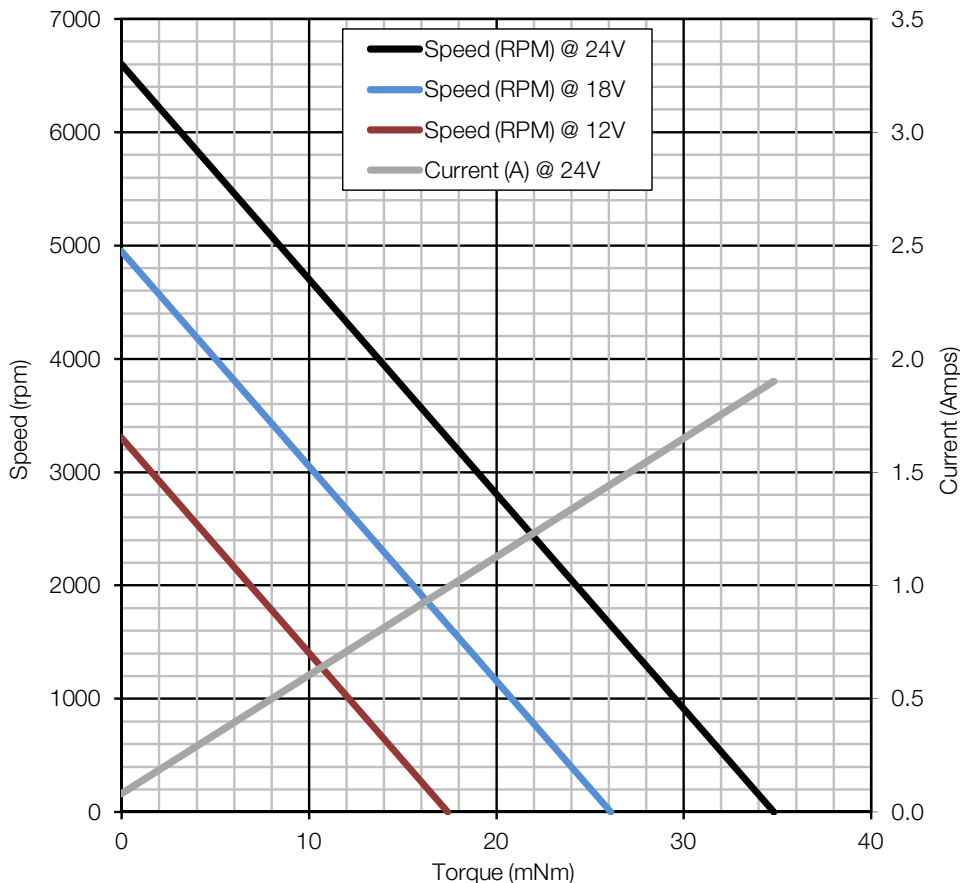
Issue 11:CN3815



Model Number	Performance									
	Volts V	No Load		Maximum Efficiency				Stall		Max Power W
		Speed rpm	Current A	Speed rpm	Current A	Torque mNm	Output W	Torque mNm	Current A	
D2838-12360	24	6600	0.08	5373	0.26	6.5	3.6	34.8	1.9	6.0
	18	4950	0.07	4077	0.30	4.6	2.0	26.1	1.4	3.4
	12	3300	0.06	2654	0.24	3.4	0.9	17.4	1.0	1.5

Performance characteristics and general specification are from calculated data.

Characteristics



General Specification

Bearings	Sintered
Brushes	Carbon
Rotation	Bi-directional
Number of poles	3
Operating voltage	9 V to 30 V
Nominal resistance	25.7 Ω
Nominal inductance	12.6 mH
Typical detent torque	2.5 mNm
Suppression	Internal ring varistor
Weight (D2838-12360)	67 g

Shaft length options 'L1', 'L2'

D2838-12360	22.0mm, 64.0mm
D2838-12360S	9.0mm, 50.0mm

Contact:

www.rotalink.com
info@rotalink.com
T: +44 (0)1460 72000

Rotalink Limited
Cropmead, Crewkerne
Somerset TA18 7HQ, UK

www.rotalink.com