

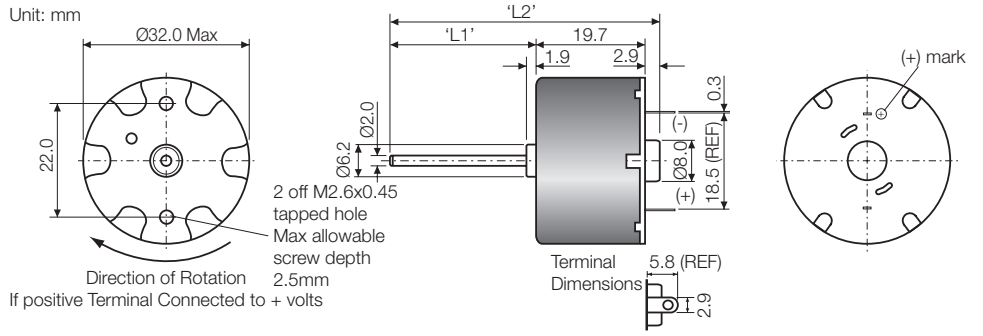
DC Motors

D3218-11650C

Issue 15:CN3815

Rotalink

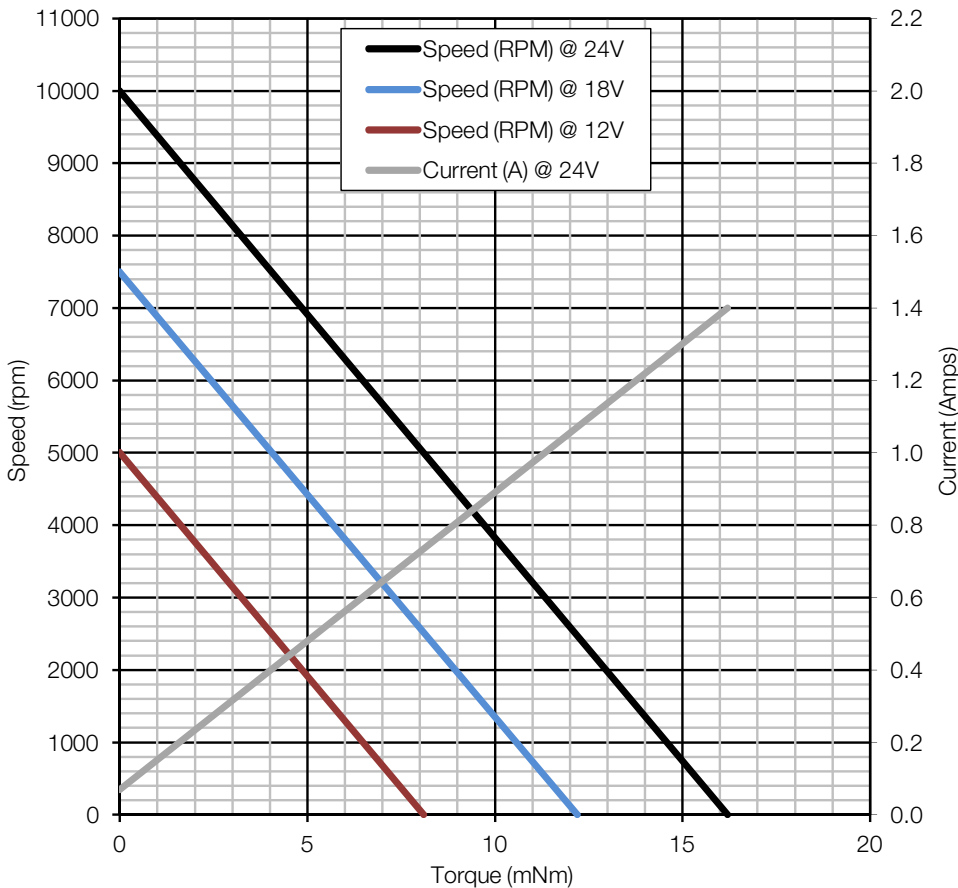
Miniature Motors, Transmission and Control



Model Number	Performance									
	Volts V	No Load		Maximum Efficiency				Stall		Max Power W
		Speed rpm	Current A	Speed rpm	Current A	Torque mNm	Output W	Torque mNm	Current A	
D3218-11650C	24	10000	0.07	8029	0.20	3.2	2.7	16.2	1.4	4.2
	18	7500	0.06	6091	0.20	2.3	1.5	12.2	1.1	2.4
	12	5000	0.06	3961	0.20	1.7	0.7	8.1	0.7	1.1

Performance characteristics and general specification are from calculated data.

Characteristics



General Specification

Bearings	Sintered
Brushes	Carbon
Rotation	Bi-directional
Number of poles	3
Operating voltage	9 V to 26 V
Nominal resistance	34.4 Ω
Nominal inductance	12.1 mH
Typical detent torque	3 mNm
Suppression	Internal ring varistor
Weight	45 g

Shaft length options 'L1', 'L2'

D3218-11650C	21.0mm, 43.6mm
D3218-11650CS	11.0mm, 33.6mm

Contact:

www.rotalink.com
info@rotalink.com
T: +44 (0)1460 72000

Rotalink Limited
Cropmead, Crewkerne
Somerset TA18 7HQ, UK

www.rotalink.com