

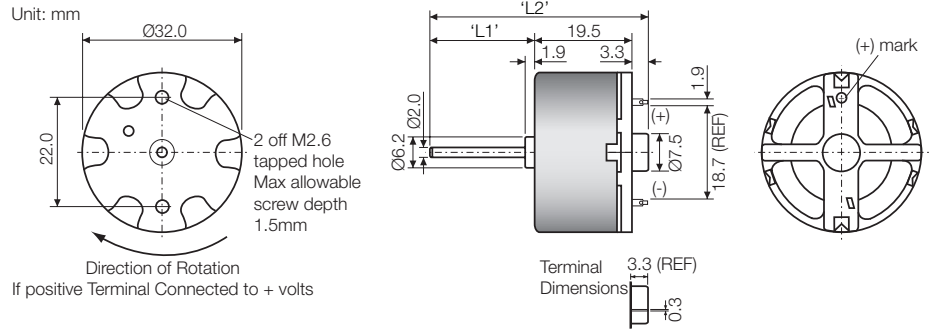
# DC Motors

D3218-12560

Issue 16:CN3815

# Rotalink

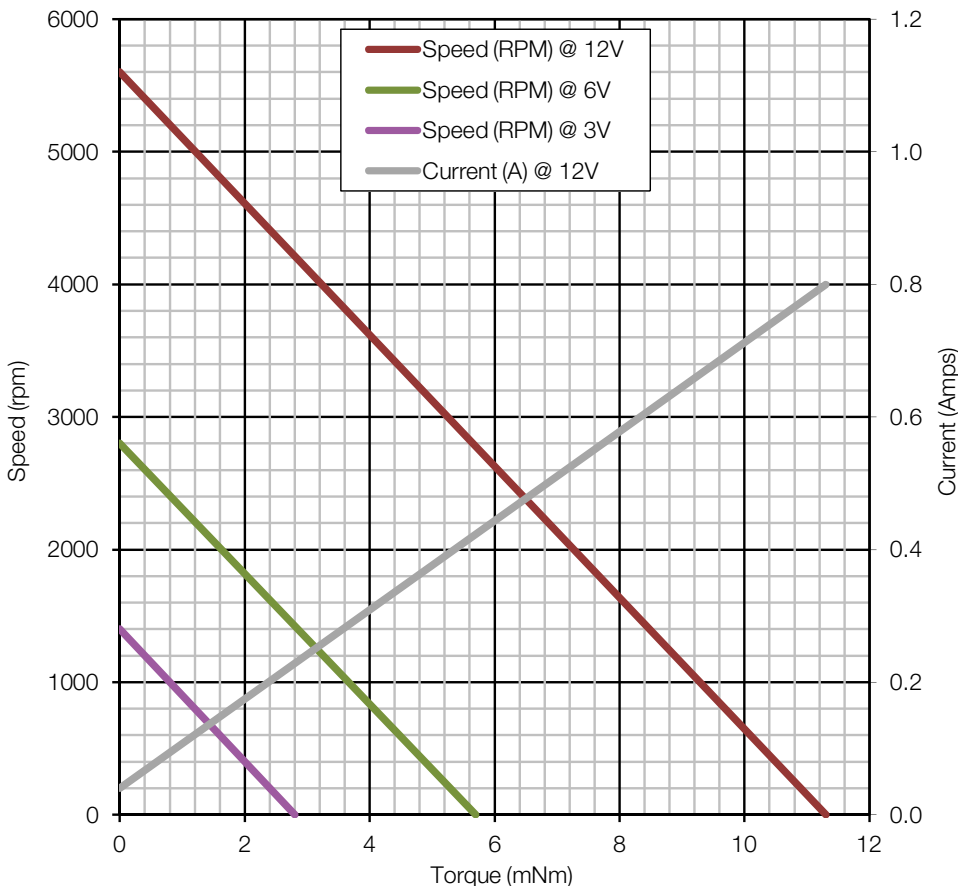
Miniature Motors, Transmission and Control



Model Number	Performance									
	Volts V	No Load		Maximum Efficiency				Stall		Max Power W
		Speed rpm	Current A	Speed rpm	Current A	Torque mNm	Output W	Torque mNm	Current A	
D3218-12560	12	5600	0.04	4603	0.14	2.0	1.0	11.3	0.8	1.7
	6	2800	0.03	2200	0.10	1.2	0.3	5.7	0.4	0.4
	3	1400	0.03	1037	0.10	0.7	0.1	2.8	0.2	0.1

Performance characteristics and general specification are from calculated data.

## Characteristics



## General Specification

Bearings	Sintered
Brushes	Precious metal
Rotation	Bi-directional
Number of poles	3
Operating voltage	3 V to 12 V
Nominal resistance	18 Ω
Nominal inductance	18.9 mH
Typical detent torque	2 mNm
Suppression	Internal ring varistor
Weight (D3218-12560)	48g

## Shaft length options 'L1'; 'L2'

D3218-12560	21.0mm, 43.8mm
D3218-12560S	11.0mm, 33.8mm

## Contact:

www.rotalink.com  
info@rotalink.com  
T: +44 (0)1460 72000

Rotalink Limited  
Cropmead, Crewkerne  
Somerset TA18 7HQ, UK

www.rotalink.com

This drawing and any information, descriptions and know how contained hereon (altogether "the drawing") are confidential and are the sole property of Rotalink Limited. Rotalink Limited owns all copyright, design right and all other intellectual property in the drawing and neither the drawing nor any part of it may be disclosed, loaned, copied, used for manufacturing or in relation to tenders or used for any other purpose without the express written permission of Rotalink Limited.

The contents of this data sheet are intended as reference material not product specification and are subject to alteration without prior notice. Please contact our sales team for detailed information.