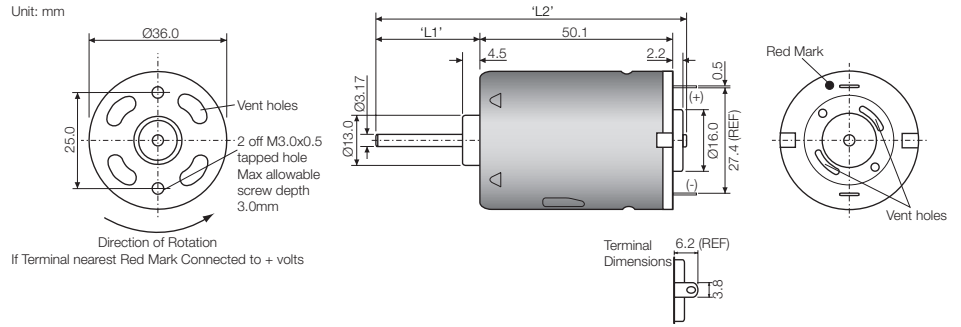


DC Motors

D3650-19135

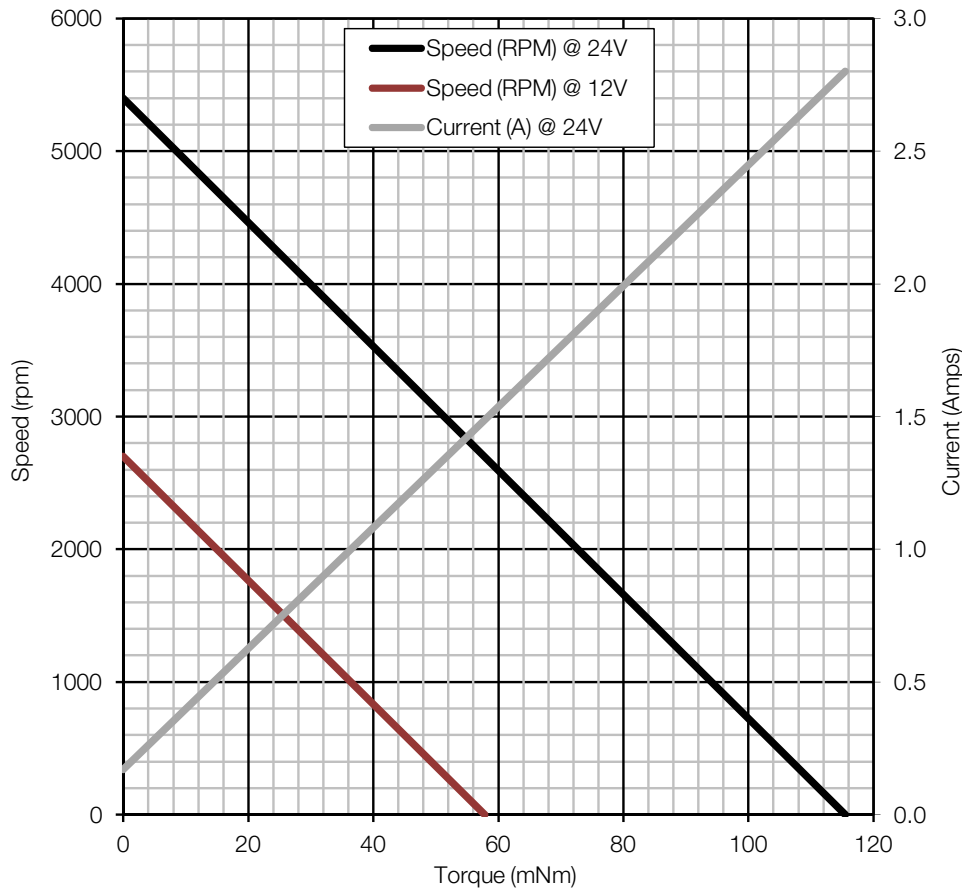
Issue 08:CN3487



| Model Number | Performance | | | | | | | | | |
|--------------|-------------|-----------|-----------|--------------------|-----------|------------|----------|------------|-----------|-------------|
| | Volts V | No Load | | Maximum Efficiency | | | | Stall | | Max Power W |
| | | Speed rpm | Current A | Speed rpm | Current A | Torque mNm | Output W | Torque mNm | Current A | |
| D3650-19135 | 24 | 5400 | 0.17 | 4690 | 0.47 | 16.1 | 7.9 | 115.5 | 2.8 | 16.3 |
| | 12 | 2700 | 0.14 | 2101 | 0.40 | 12.8 | 2.8 | 57.8 | 1.4 | 4.1 |

Performance characteristics and general specification are from calculated data.

Characteristics



General Specification

| | |
|--|------------------------|
| Bearings | Sintered |
| Brushes | Carbon |
| Rotation | Bi-directional |
| Number of poles | 5 |
| Operating voltage | 12 V to 30 V |
| Nominal resistance | 13.9 Ω |
| Nominal inductance | 6.5 mH |
| Typical detent torque | 6 mNm |
| Suppression | Internal ring varistor |
| Weight (D3650-19135) | 155 g |
| Shaft length options 'L1', 'L2' | |
| D3650-19135 | 27.0mm, 80.0mm |
| D3650-19135S | 19.0mm, 72.0mm |

Contact:

www.rotalink.com
 info@rotalink.com
 T: +44 (0)1460 72000
 F: +44 (0)1460 74278

Rotalink Limited
 Cropmead, Crewkerne
 Somerset TA18 7HQ, UK

www.rotalink.com