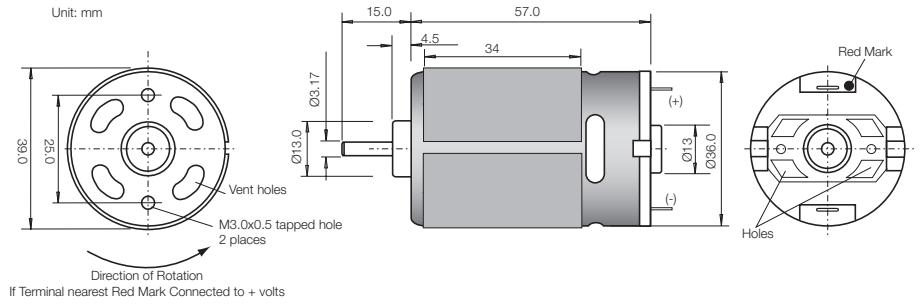


# DC Motors

D3857-30125

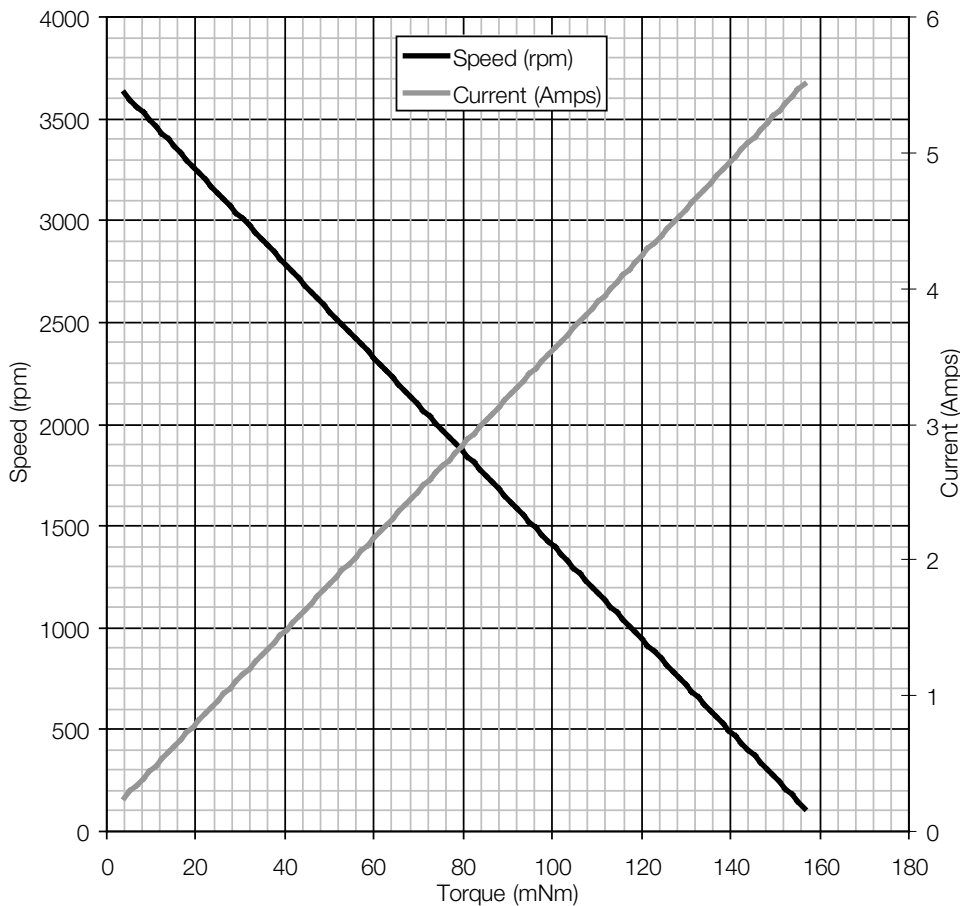
Issue 03



Model Number	Performance										
	Volts V	No Load		Maximum Efficiency					Stall		Max Power W
		Speed rpm	Current A	Speed rpm	Current A	Torque mNm	Output W	Efficiency %	Torque mNm	Current A	
D3857-30125	12	3800	0.18	3200	0.85	22.0	7.4	73%	167.7	6.13	15.6

Performance characteristics and general specification are measured from sample motor.

## Characteristics



## General Specification

Bearings	Sintered
Brushes	Carbon
Rotation	Bi-directional
Number of poles	3
Operating voltage	8 V to 16 V
Nominal resistance	8 Ω
Typical detent torque	18 mNm
Suppression	None
Weight	225 g

### Contact:

www.rotalink.com  
 info@rotalink.com  
 T: +44 (0)1460 72000  
 F: +44 (0)1460 74278

Rotalink Limited  
 Cropmead, Crewkerne  
 Somerset TA18 7HQ, UK

www.rotalink.com