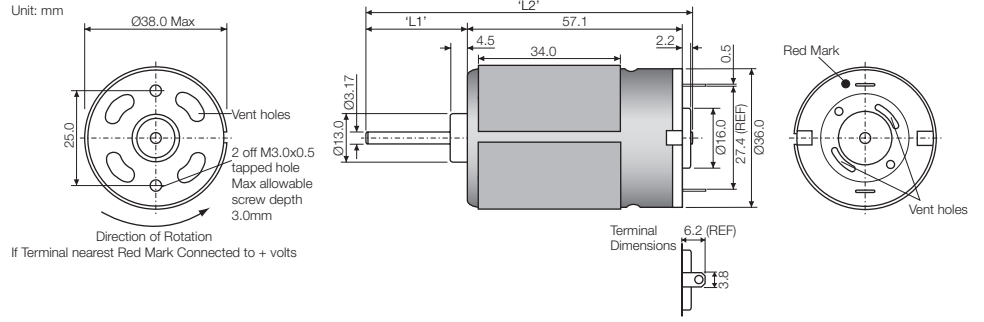


DC Motors

D3857-3250

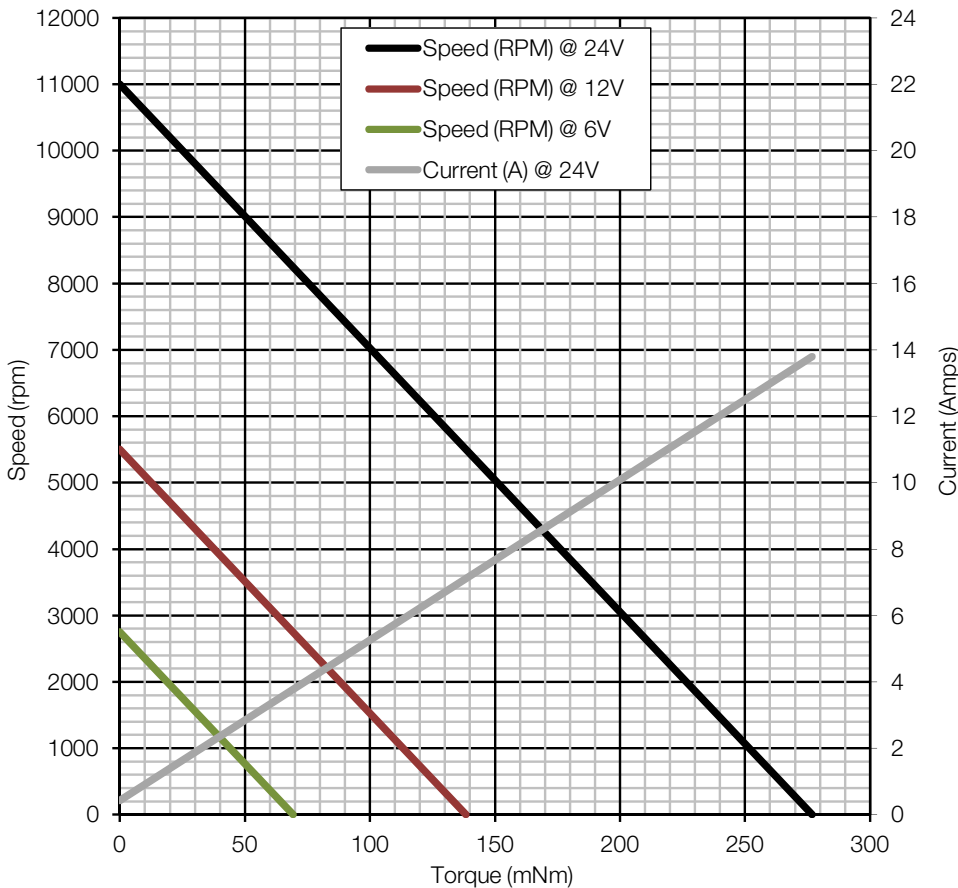
Issue 13:CN3815



| Model Number | Performance | | | | | | | | | |
|--------------|-------------|-----------|-----------|--------------------|-----------|------------|----------|------------|-----------|-------------|
| | Volts V | No Load | | Maximum Efficiency | | | | Stall | | Max Power W |
| | | Speed rpm | Current A | Speed rpm | Current A | Torque mNm | Output W | Torque mNm | Current A | |
| D3857-3250 | 24 | 11000 | 0.42 | 9506 | 1.91 | 33.6 | 33.4 | 276.8 | 13.8 | 79.7 |
| | 12 | 5500 | 0.34 | 4544 | 1.50 | 24.1 | 11.4 | 138.4 | 6.9 | 19.9 |
| | 6 | 2750 | 0.29 | 2167 | 1.00 | 14.7 | 3.3 | 69.2 | 3.5 | 5.0 |

Performance characteristics and general specification are from calculated data.

Characteristics



General Specification

| | |
|-----------------------|------------------------|
| Bearings | Sintered |
| Brushes | Carbon |
| Rotation | Bi-directional |
| Number of poles | 5 |
| Operating voltage | 6 V to 24 V |
| Nominal resistance | 2.9 Ω |
| Nominal inductance | 1.2 mH |
| Typical detent torque | 7 mNm |
| Suppression | Internal ring varistor |
| Weight (D3857-3250) | 215 g |

Shaft length options 'L1','L2'

| | |
|-------------|----------------|
| D3857-3250 | 27.0mm, 87.0mm |
| D3857-3250S | 19.0mm, 79.0mm |

Contact:

www.rotalink.com
 info@rotalink.com
 T: +44 (0)1460 72000

Rotalink Limited
 Cropmead, Crewkerne
 Somerset TA18 7HQ, UK

www.rotalink.com