

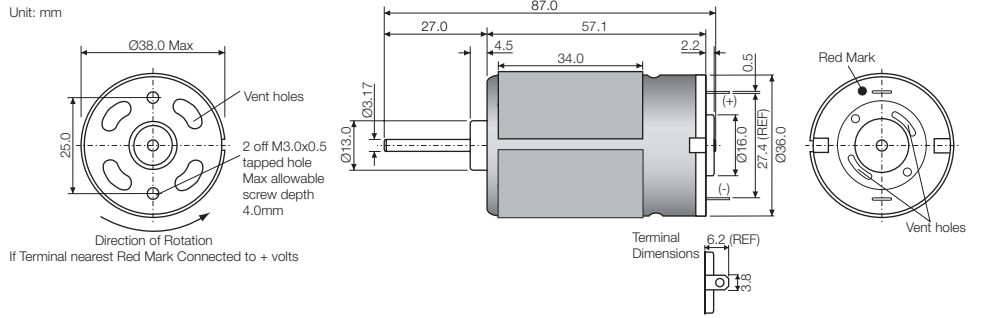
# DC Motors

D3857-4525

Issue 10:CN3559

# Rotalink

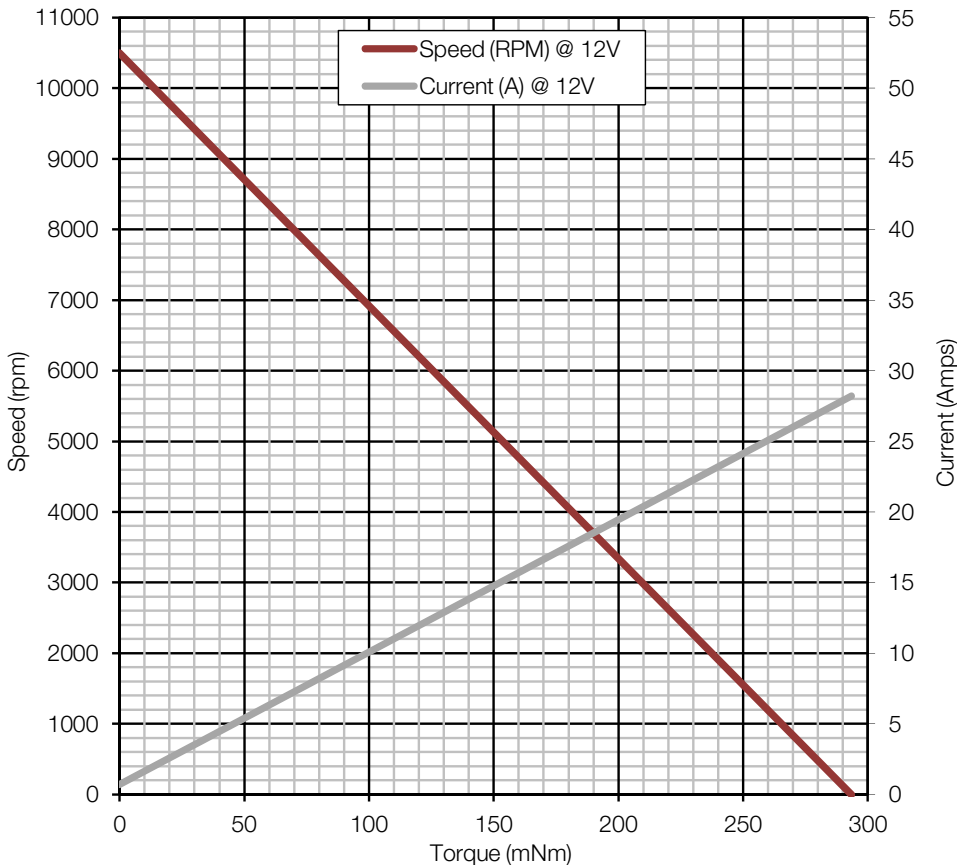
Miniature Motors, Transmission and Control



Model Number	Performance									
	Volts V	No Load		Maximum Efficiency				Stall		Max Power W
		Speed rpm	Current A	Speed rpm	Current A	Torque mNm	Output W	Torque mNm	Current A	
D3857-4525	12	10500	0.70	9311	3.39	31.3	30.5	293.4	28.2	80.7

Performance characteristics and general specification are from calculated data.

## Characteristics



## General Specification

Bearings	Sintered
Brushes	Carbon
Rotation	Bi-directional
Number of poles	5
Operating voltage	8 V to 16 V
Nominal resistance	0.7 $\Omega$
Nominal inductance	0.3 mH
Typical detent torque	10 mNm
Suppression	Internal ring varistor
Weight	215 g

### Contact:

www.rotalink.com  
 info@rotalink.com  
 T: +44 (0)1460 72000  
 F: +44 (0)1460 74278

Rotalink Limited  
 Cropmead, Crewkerne  
 Somerset TA18 7HQ, UK

www.rotalink.com