

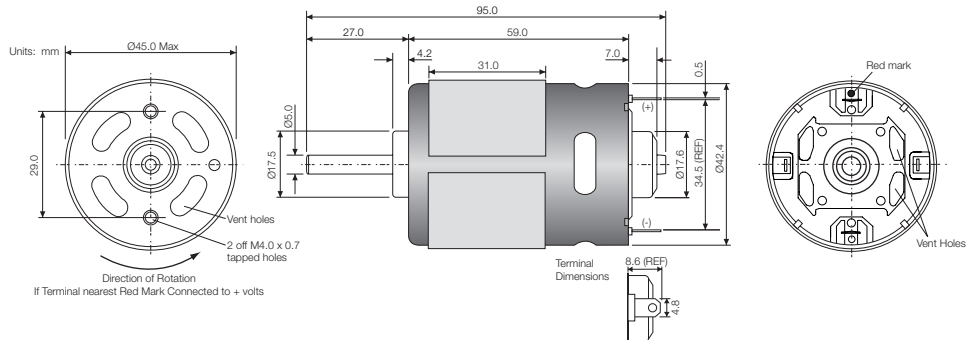
# DC Motors

D4560-5531

Issue 04:CN2410

# Rotalink

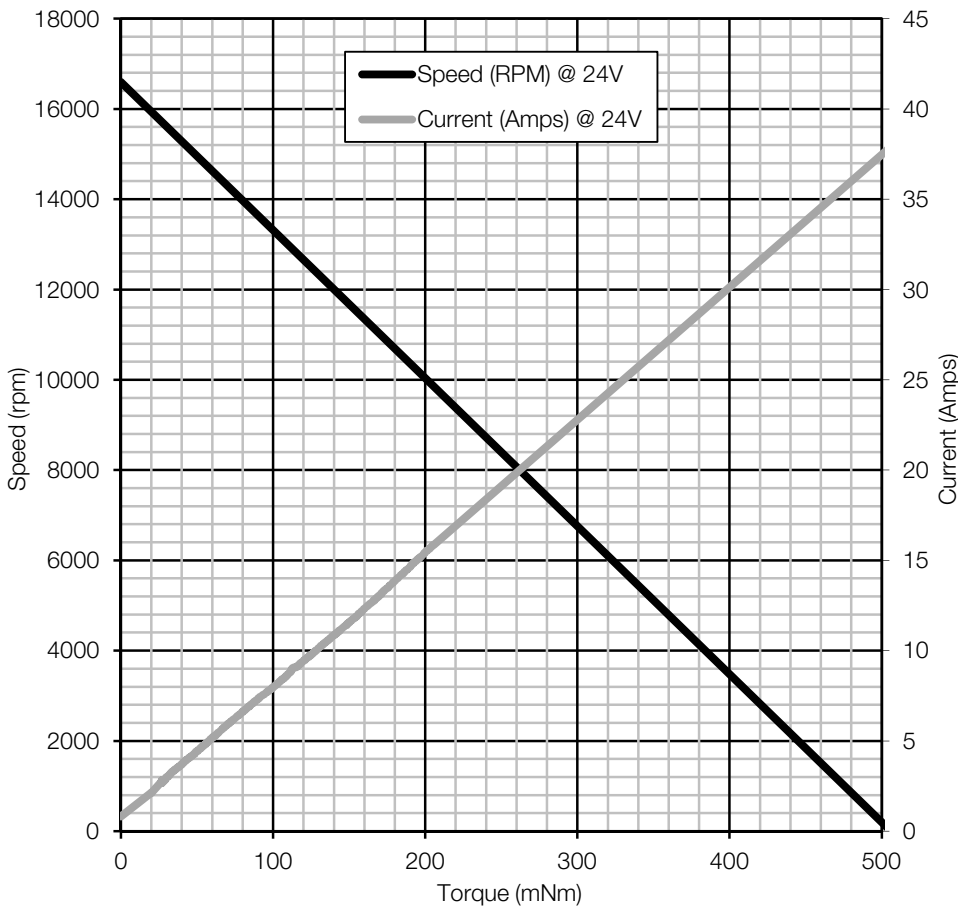
Miniature Motors, Transmission and Control



Model Number	Performance									
	Volts V	No Load		Maximum Efficiency				Stall		Max Power W
		Speed rpm	Current A	Speed rpm	Current A	Torque mNm	Output W	Torque mNm	Current A	
D4560-5531	24	16592	0.81	14341	5.30	62.17	93.37	506.05	37.91	219.82

Performance characteristics and general specification are measured from sample motor.

## Characteristics



## General Specification

Bearings	Local Ball race front Sintered rear
Brushes	Carbon
Rotation	Bi-directional
Number of poles	5
Operating voltage	12 V to 24 V
Nominal resistance	1.4 Ω
Nominal inductance	0.4 mH
Typical detent torque	12 mNm
Suppression	Internal ring varistor
Weight	320 g

## Contact:

www.rotalink.com  
 info@rotalink.com  
 T: +44 (0)1460 72000  
 F: +44 (0)1460 74278

Rotalink Limited  
 Cropmead, Crewkerne  
 Somerset TA18 7HQ, UK

www.rotalink.com