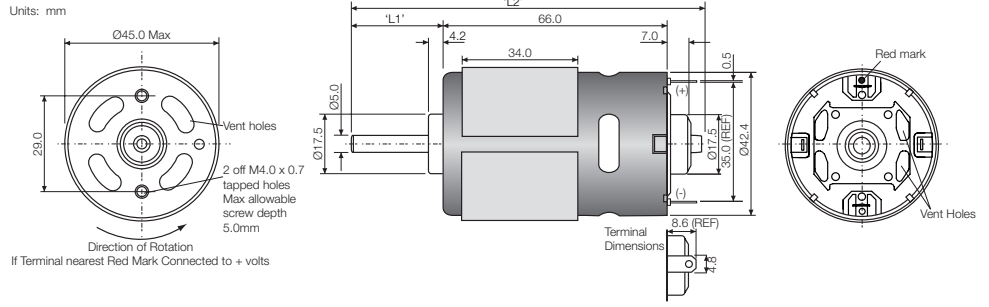


DC Motors

D4566-26100

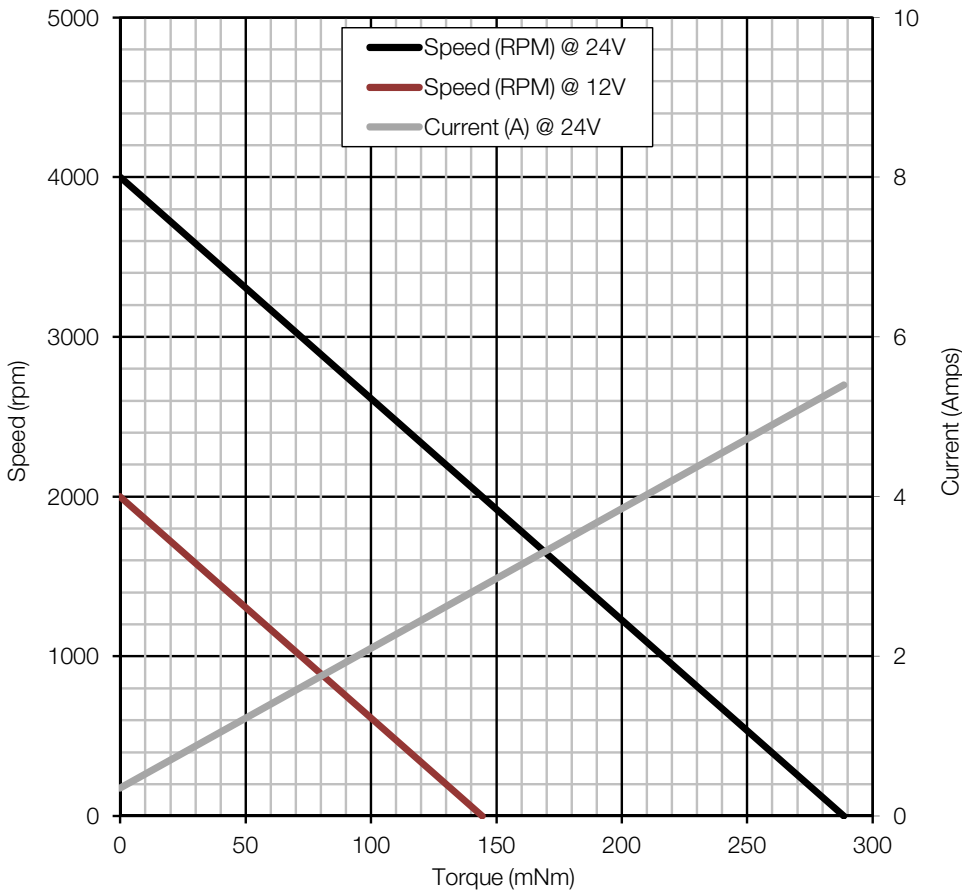
Issue 08:CN3815



Model Number	Performance									
	Volts V	No Load		Maximum Efficiency				Stall		Max Power W
		Speed rpm	Current A	Speed rpm	Current A	Torque mNm	Output W	Torque mNm	Current A	
D4566-26100	24	4000	0.35	3130	1.26	54.9	18.0	288.6	5.4	30.2
	12	2000	0.28	1547	0.80	32.7	5.3	144.3	2.7	7.6

Performance characteristics and general specification are from calculated data.

Characteristics



General Specification

Bearings	Sintered
Brushes	Carbon
Rotation	Bi-directional
Number of poles	5
Operating voltage	12 V to 32 V
Nominal resistance	4.5 Ω
Nominal inductance	4.7 mH
Typical detent torque	20 mNm
Suppression	Internal ring varistor
Weight (D4566-26100)	360 g
Shaft length options 'L1', 'L2'	
D4566-26100	27.0mm, 102mm
D4566-26100S	19.0mm, 94.0mm

Contact:

www.rotalink.com
 info@rotalink.com
 T: +44 (0)1460 72000

Rotalink Limited
 Cropmead, Crewkerne
 Somerset TA18 7HQ, UK

www.rotalink.com

This drawing and any information, descriptions and know how contained hereon (altogether "the drawing") are confidential and are the sole property of Rotalink Limited. Rotalink Limited owns all copyright, design right and all other intellectual property in the drawing and neither the drawing nor any part of it may be disclosed, loaned, copied, used for manufacturing or in relation to tenders or used for any other purpose without the express written permission of Rotalink Limited.

The contents of this data sheet are intended as reference material not product specification and are subject to alteration without prior notice. Please contact our sales team for detailed information.