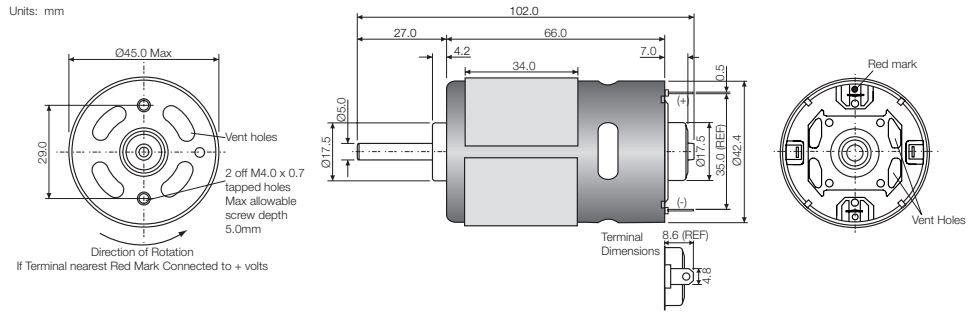


# DC Motors

D4566-3559

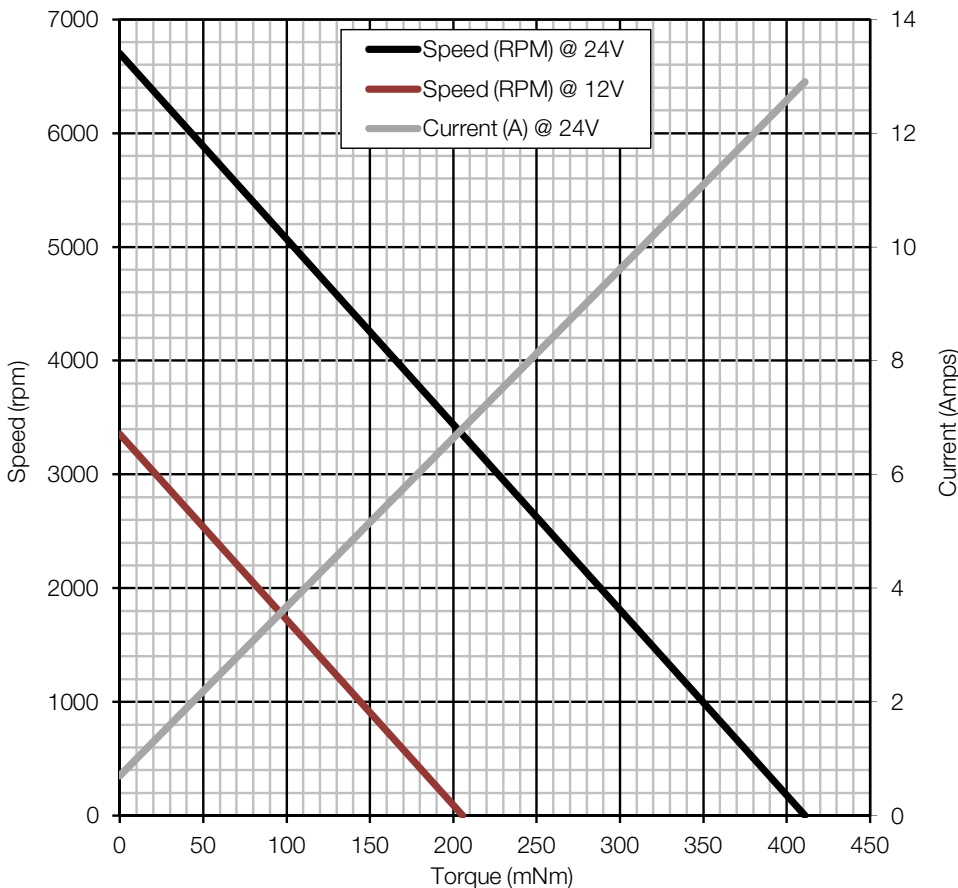
Issue 06:CN3448



Model Number	Performance									
	Volts V	No Load		Maximum Efficiency				Stall		Max Power W
		Speed rpm	Current A	Speed rpm	Current A	Torque mNm	Output W	Torque mNm	Current A	
D4566-3559	24	6700	0.70	5700	2.30	61.4	36.1	411.0	12.9	72.1
	12	3350	0.56	2634	1.80	43.9	12.1	205.5	6.5	18.0

Performance characteristics and general specification are from calculated data.

## Characteristics



## General Specification

Bearings	Sintered
Brushes	Carbon
Rotation	Bi-directional
Number of poles	5
Operating voltage	12 V to 30 V
Nominal resistance	3.7 $\Omega$
Nominal inductance	1.6 mH
Typical detent torque	24 mNm
Suppression	Internal ring varistor
Weight	360 g

### Contact:

www.rotalink.com  
 info@rotalink.com  
 T: +44 (0)1460 72000  
 F: +44 (0)1460 74278

Rotalink Limited  
 Cropmead, Crewkerne  
 Somerset TA18 7HQ, UK

www.rotalink.com