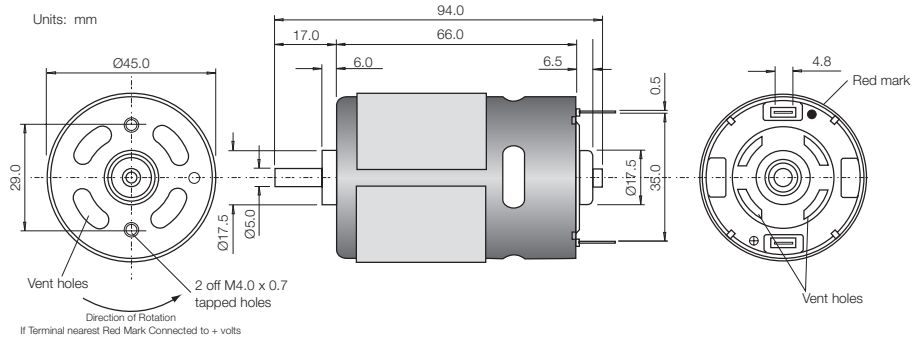


# DC Motors

D4566-40110

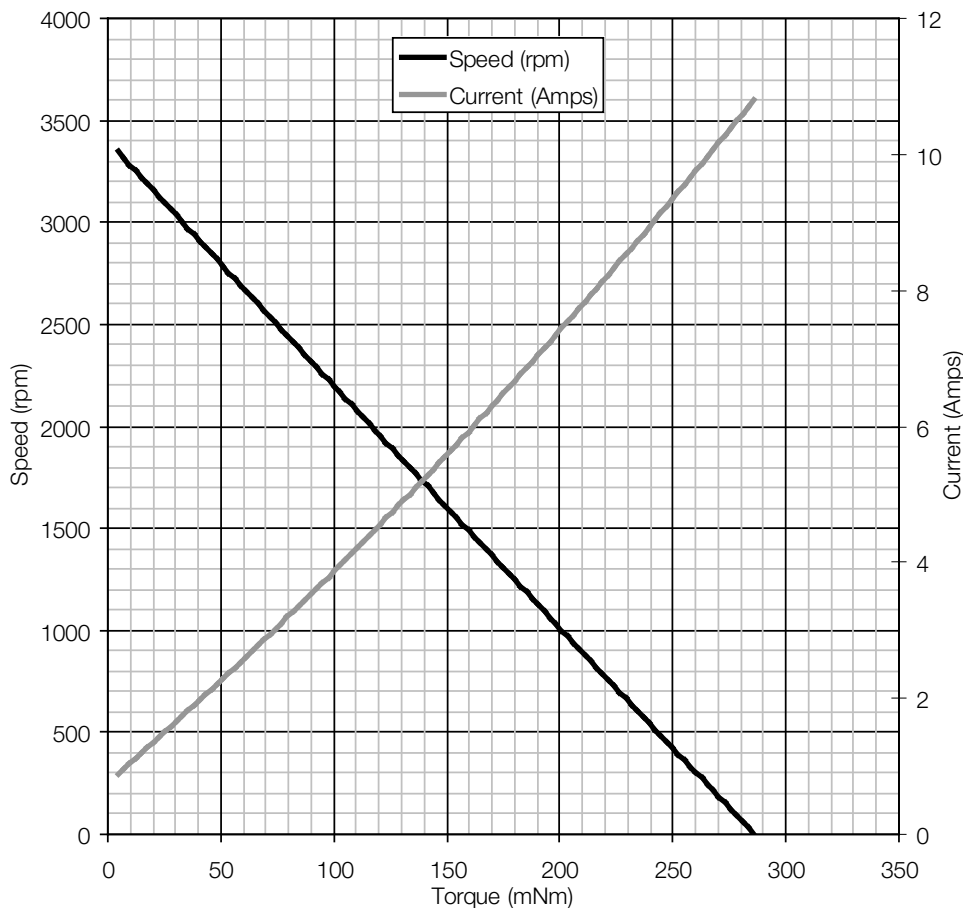
Issue 03



| Model Number | Performance |           |           |                    |           |            |          |            |           |             |
|--------------|-------------|-----------|-----------|--------------------|-----------|------------|----------|------------|-----------|-------------|
|              | Volts V     | No Load   |           | Maximum Efficiency |           |            |          | Stall      |           | Max Power W |
|              |             | Speed rpm | Current A | Speed rpm          | Current A | Torque mNm | Output W | Torque mNm | Current A |             |
| D4566-40110  | 12          | 3800      | 0.45      | 3000               | 1.72      | 32.2       | 10.1     | 286.0      | 10.81     | 25.3        |

Performance characteristics and general specification are measured from sample motor.

## Characteristics



## General Specification

|                       |                |
|-----------------------|----------------|
| Bearings              | Sintered       |
| Brushes               | Carbon         |
| Rotation              | Bi-directional |
| Number of poles       | 5              |
| Operating voltage     | 8 V to 16 V    |
| Nominal resistance    | 1.4 Ω          |
| Typical detent torque | 34 mNm         |
| Suppression           | None           |
| Weight                | 368 g          |

### Contact:

www.rotalink.com  
 info@rotalink.com  
 T: +44 (0)1460 72000  
 F: +44 (0)1460 74278

Rotalink Limited  
 Cropmead, Crewkerne  
 Somerset TA18 7HQ, UK

www.rotalink.com