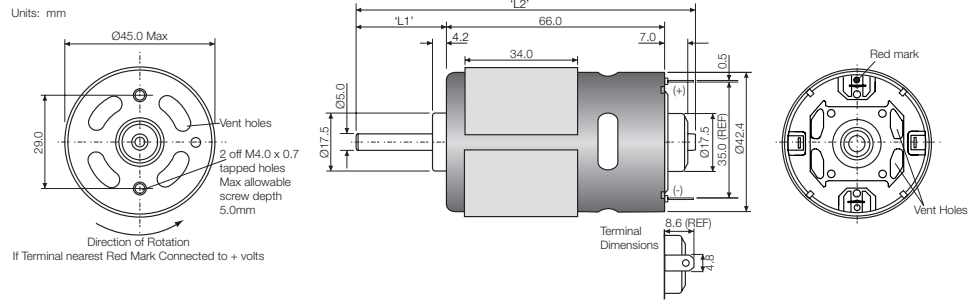


# DC Motors

D4566-5524F

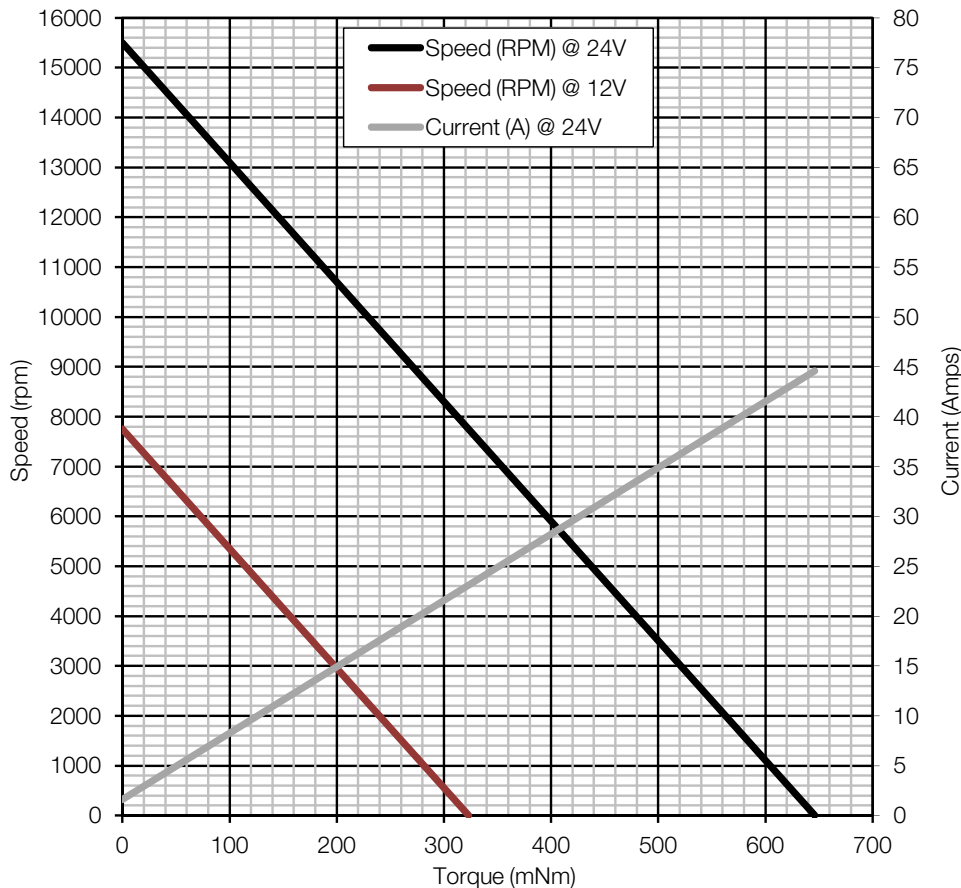
Issue 10:CN3448



Model Number	Performance									
	Volts V	No Load		Maximum Efficiency				Stall		Max Power W
		Speed rpm	Current A	Speed rpm	Current A	Torque mNm	Output W	Torque mNm	Current A	
D4566-5524F	24	15500	1.60	13089	7.85	96.9	132.8	645.8	44.6	262.1
	12	7750	1.28	6318	5.20	59.7	39.5	322.9	22.3	65.5

Performance characteristics and general specification are from calculated data.

## Characteristics



## General Specification

Bearings Ball race front Sintered rear  
 Brushes Carbon  
 Rotation Bi-directional  
 Number of poles 5  
 Operating voltage 8 V to 24 V  
 Nominal resistance 1.8 Ω  
 Nominal inductance 0.3 mH  
 Typical detent torque 14 mNm  
 Suppression 2 capacitors 63Vdc  
 Weight (D4566-5524F) 368 g  
**Shaft length options 'L1', 'L2'**  
 D4566-5524F 27.0mm, 102mm  
 D4566-5524FS 19.0mm, 94.0mm

### Contact:

www.rotalink.com  
 info@rotalink.com  
 T: +44 (0)1460 72000  
 F: +44 (0)1460 74278

Rotalink Limited  
 Cropmead, Crewkerne  
 Somerset TA18 7HQ, UK

www.rotalink.com