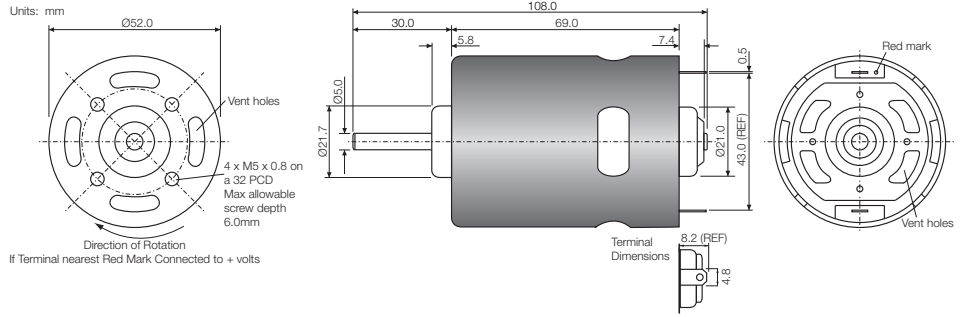


# DC Motors

D5269-5524

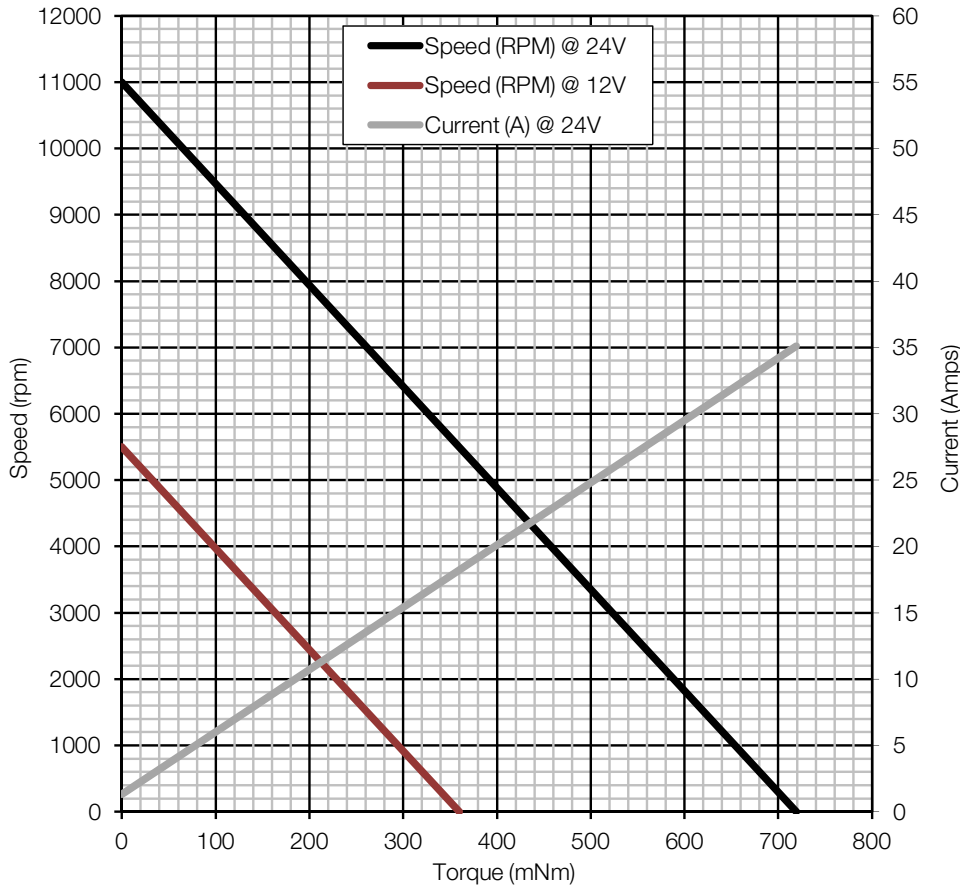
Issue 06:CN3815



Model Number	Performance									
	Volts V	No Load		Maximum Efficiency				Stall		Max Power W
		Speed rpm	Current A	Speed rpm	Current A	Torque mNm	Output W	Torque mNm	Current A	
D5269-5524	24	11000	1.30	9588	4.88	83.9	84.3	719.4	35.1	207.2
	12	5500	1.04	4472	4.10	67.2	31.5	359.7	17.6	51.8

Performance characteristics and general specification are from calculated data.

## Characteristics



## General Specification

Bearings	Ball race front Sintered rear
Brushes	Carbon
Rotation	Bi-directional
Number of poles	7
Operating voltage	12 to 24 V
Nominal resistance	1.6 $\Omega$
Nominal inductance	0.45mH
Typical detent torque	14 mNm
Suppression	None
Weight	470 g

### Contact:

[www.rotalink.com](http://www.rotalink.com)  
[info@rotalink.com](mailto:info@rotalink.com)  
 T: +44 (0)1460 72000

Rotalink Limited  
 Cropmead, Crewkerne  
 Somerset TA18 7HQ, UK

[www.rotalink.com](http://www.rotalink.com)