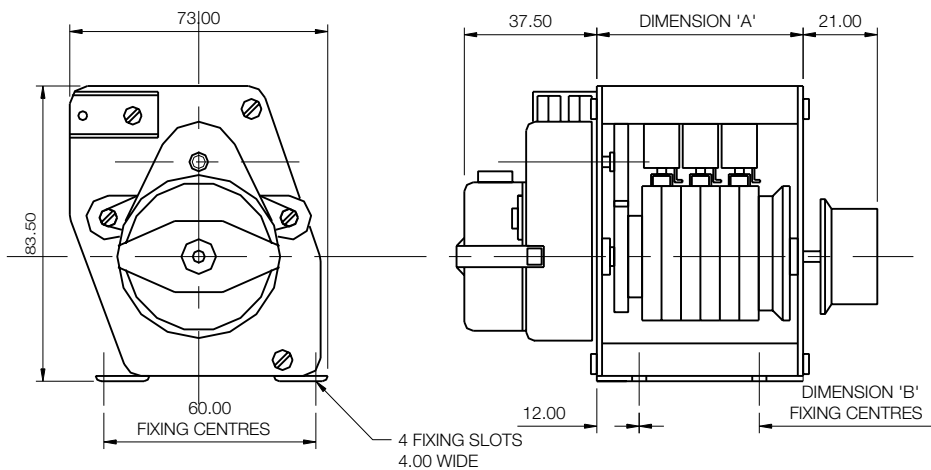


Cam Timers

D63

Issue 02



General Specification

Electrical supply: 110/240V, 50/60Hz
 Switch rating: 16A 240V change over
 Connections:
 Switch: 1/4 inch spade push on terminals
 Motor: 1/4 inch spade push on terminals

Standard D63 Cam Timers are fitted with adjustable cams. Each cam may be programmed to provide one switch operation per cycle.

Ordering Information

Model: D63
 Number of channels (switches)
 Cycle time
 Supply Voltage (V)
 Supply frequency (Hz)

Eg: D63/8, 6 minutes, 240V, 50Hz

Number of Switches	Dim A	Dim B
2	46.4	22.0
3	58.4	34.0
4	70.4	46.0
5	82.4	58.0
6	94.4	70.0
8	118.4	94.0

Rotalink's D63 Cam Timers are available in any combination of the following cycle times, number of channels (switches) and electrical supplies.

Cycle times and channels available	
Seconds per cycle	6, 10, 15, 20
Minutes per cycle	1, 2, 4, 6, 10, 18, 20, 30
Hours per cycle	2, 4, 8, 12, 16, 24
Number of channels (switches)	2, 3, 4, 5, 6, 8

Contact:

www.rotalink.com
 info@rotalink.com
 T: +44 (0)1460 72000
 F: +44 (0)1460 74278

Rotalink Limited
 Cropmead, Crewkerne
 Somerset TA18 7HQ, UK

www.rotalink.com