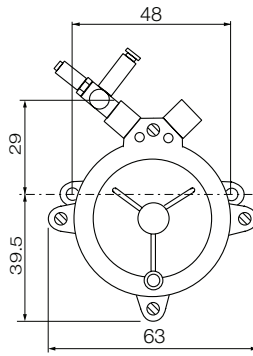


# Compressed Air

GMG

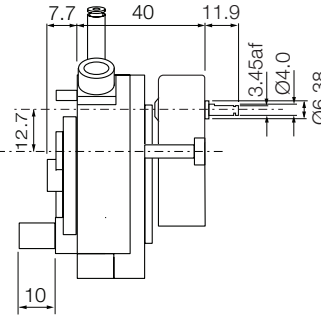
Issue 05:CN3815

Units: mm

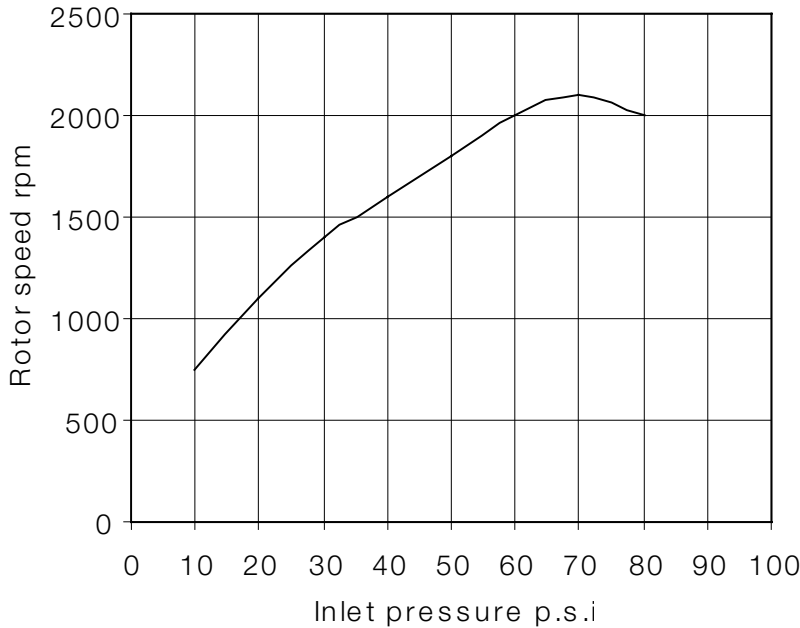


# Rotalink

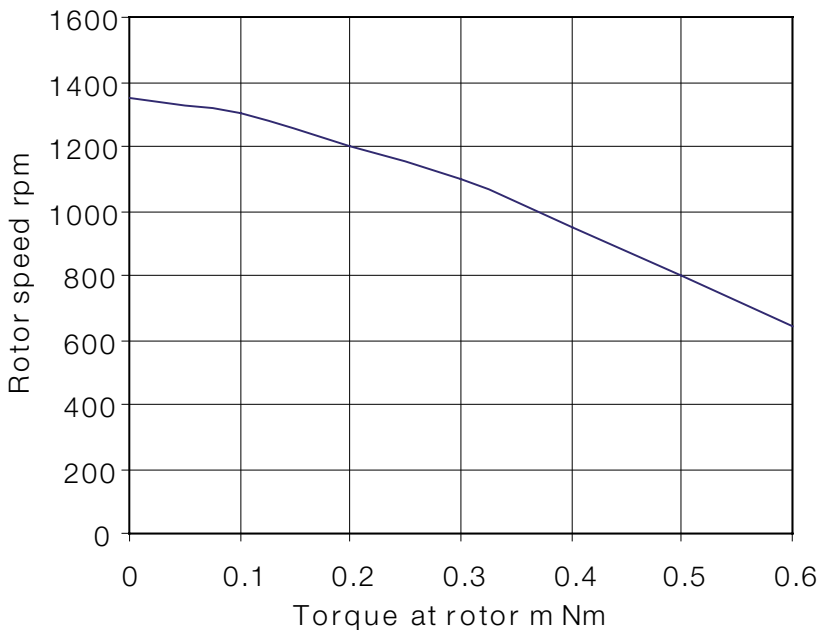
Miniature Motors, Transmission and Control



Typical variation of speed with inlet pressure



Typical variation of speed with torque



## General Specification

Gearbox Type	221
Air Input	4mm o.d plastic pipe
Exhaust	Directly to atmosphere or through outlet port
Operating Pressure	25 psi (Standard) 100 psi (Maximum)
Air Supply	Clean and dust free. May contain traces of oil
Air Consumption	at 25 psi, 0.5 standard cub.ft.per min. typical
Maximum Torque	490mNm at 25psi, 1rpm
Ambient Temperature	10°C to 65°C
Rotor Speed	1200±1% rpm nominal.
Average long term drift	does not exceed 5%

## Performance

Typical Output Speeds 1 rev per:	
4 MIN	1 HOUR
6 MIN	16 HOUR
10 MIN	
20 MIN	

### Contact:

www.rotalink.com  
info@rotalink.com  
T: +44 (0)1460 72000

Rotalink Limited  
Cropmead, Crewkerne  
Somerset TA18 7HQ, UK

www.rotalink.com