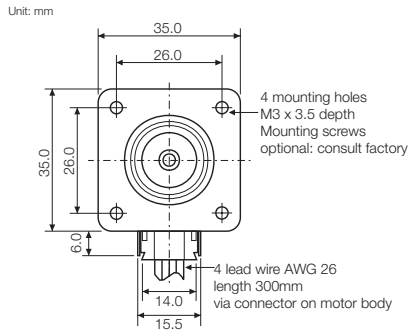


Hybrid Stepping Motors

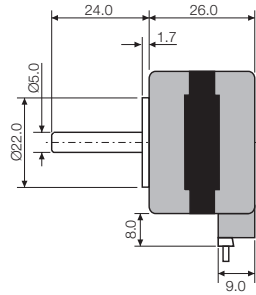
M142618M426

Issue 04:CN3817



Rotalink

Miniature Motors, Transmission and Control

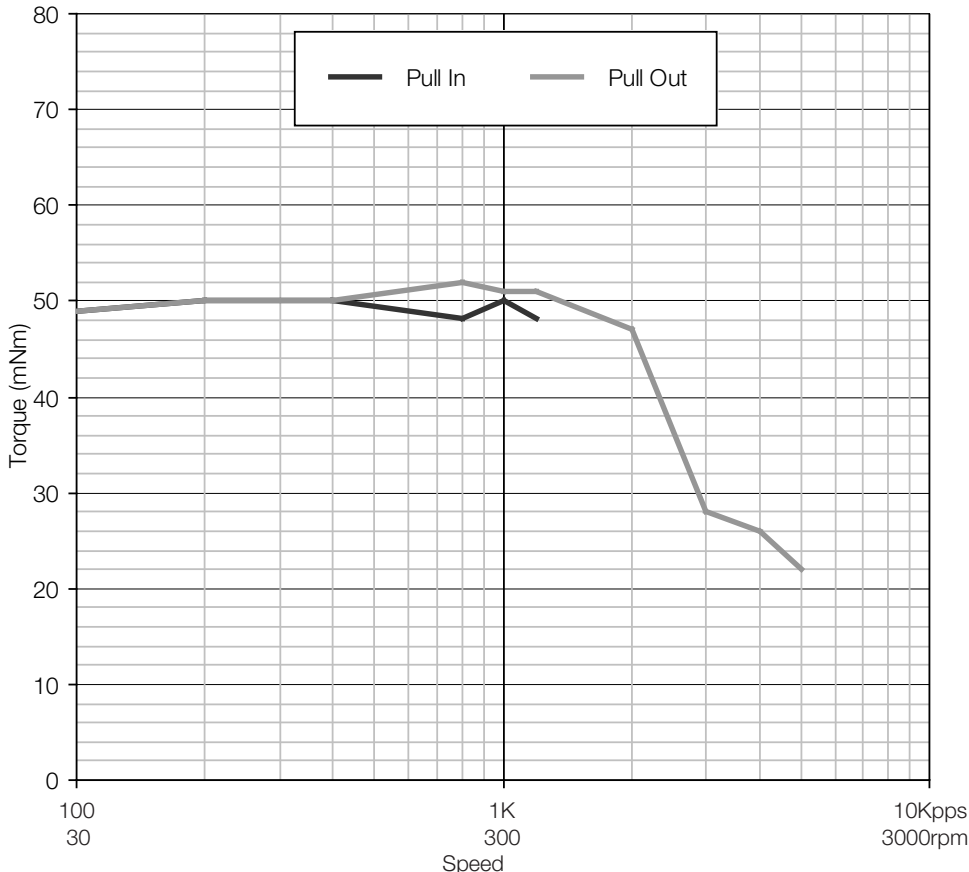


Model Number	Phase voltage (V)	Phase current (A)	Phase resistance (Ω)	Phase inductance (mH)	Detent torque (mNm)	Winding
M142618M426	7.4	0.28	26.0	19.2	4.9	Bi-polar

General Specification

Holding Torque	65.0mNm
Step angle	1.8°
Step accuracy	± 5%
Rotor Inertia	1.1 kgm ² x10 ⁻⁶
Temperature rise	80°C (max.)
Ambient temp. range	-20°C to +50°C
Insulation resistance	100M Ω (min) at 500V DC
Dielectric strength	500V AC 1min
Radial play	0.02mm (max.) with 450g load
Weight	150g

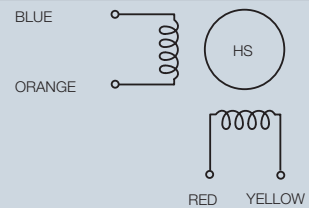
Characteristics



Drive: Full step bi-polar drive @ 30V & nominal phase current
Load Inertia: 0.124x10⁻⁶ kgm²

Full step bi-polar sequence

CW dir.	Step 1	Step 2	Step 3	Step 4
Blue	-	+	+	-
Orange	+	-	-	+
Red	+	+	-	-
Yellow	-	-	+	+



Contact:

www.rotalink.com
info@rotalink.com
T: +44 (0)1460 72000

Rotalink Limited
Cropmead, Crewkerne
Somerset TA18 7HQ, UK

www.rotalink.com