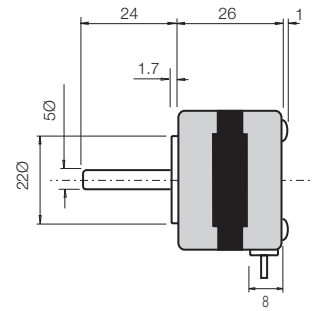
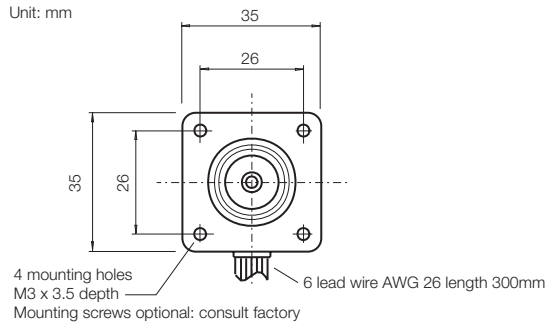


Hybrid Stepping Motors

M142618M613

Issue 04

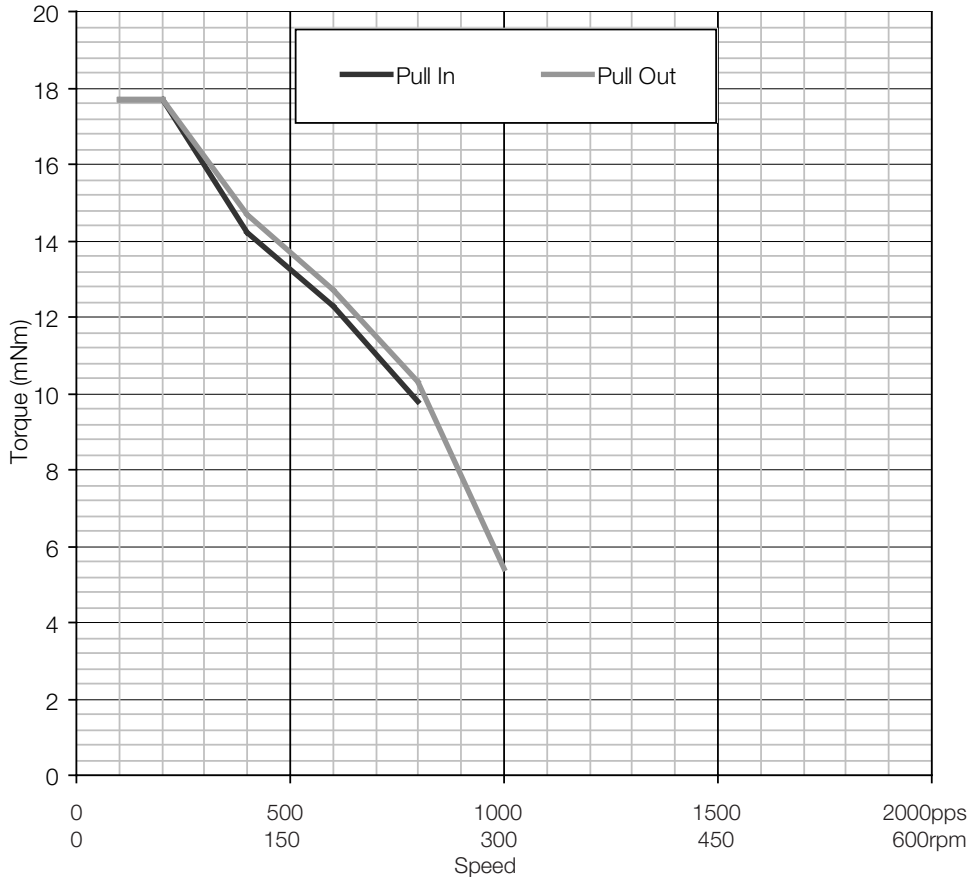


Model Number	Phase voltage (V)	Phase current (A)	Phase resistance (Ω)	Phase inductance (mH)	Detent torque (mNm)	Winding
M142618M613	5.2	0.4	13.0	4.8	4.9	Uni-polar

General Specification

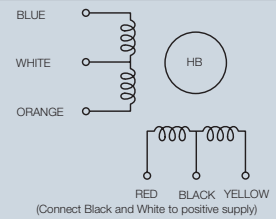
Holding Torque	40.0mNm
Step angle	1.8°
Step accuracy	± 5%
Rotor Inertia	1.1 kgm ² x10 ⁻⁶
Temperature rise	80°C (max.)
Ambient temp. range	-20°C to +50°C
Insulation resistance	100M Ω (min) at 500V DC
Dielectric strength	500V AC 1min
Radial play	0.02mm (max.) with 450g load
Weight	150g

Characteristics



Full step uni-polar sequence

CW dir.	Step 1	Step 2	Step 3	Step 4
Blue	Off	Off	On	On
Orange	On	On	Off	Off
Red	Off	On	On	Off
Yellow	On	Off	Off	On



Contact:

www.rotalink.com
info@rotalink.com
T: +44 (0)1460 72000
F: +44 (0)1460 74278

Rotalink Limited
Cropmead, Crewkerne
Somerset TA18 7HQ, UK

www.rotalink.com