

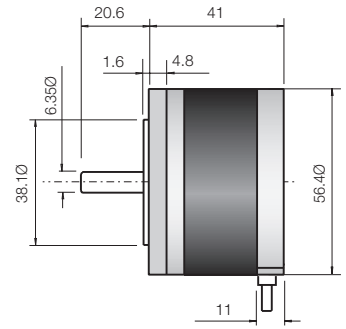
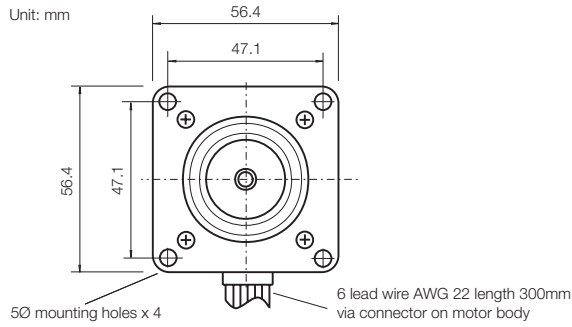
Hybrid Stepping Motors

M234118C632

Issue 03

Rotalink

Miniature Motors, Transmission and Control

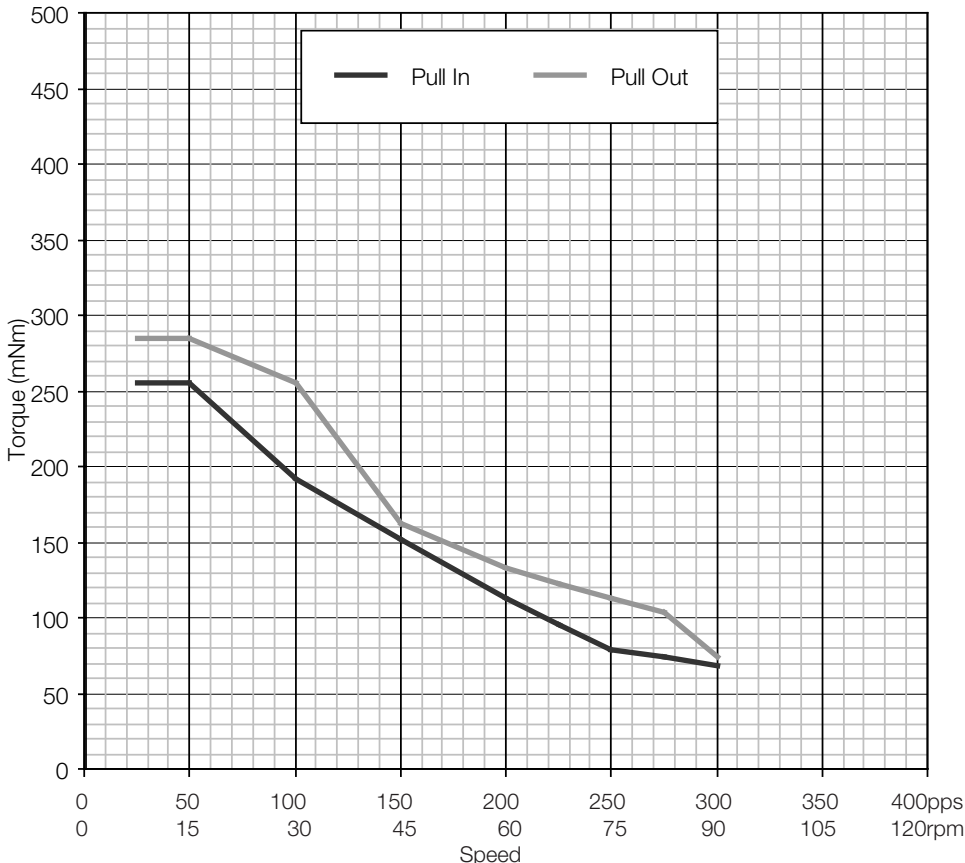


Model Number	Phase voltage (V)	Phase current (A)	Phase resistance (Ω)	Phase inductance (mH)	Detent torque (mNm)	Winding
M234118C632	12.0	0.38	32.0	40.0	30.0	Uni-polar

General Specification

Holding Torque	360mNm
Step angle	1.8°
Step accuracy	± 5%
Rotor Inertia	5.5 kgm ² x10 ⁻⁶
Temperature rise	80°C (max.)
Ambient temp. range	-20°C to +50°C
Insulation resistance	100M Ω (min) at 500V DC
Dielectric strength	500V AC 1min
Radial play	0.02mm (max.) with 450g load
Weight	360g

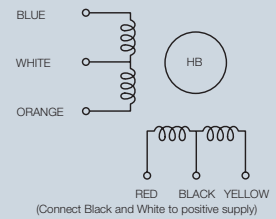
Characteristics



Drive: SM02 full step uni-polar drive @ nominal voltage & phase current
Load Inertia: 9.7x10⁻⁶ kgm²

Full step uni-polar sequence

CW dir.	Step 1	Step 2	Step 3	Step 4
Blue	Off	Off	On	On
Orange	On	On	Off	Off
Red	Off	On	On	Off
Yellow	On	Off	Off	On



Contact:

www.rotalink.com
info@rotalink.com
T: +44 (0)1460 72000
F: +44 (0)1460 74278

Rotalink Limited
Cropmead, Crewkerne
Somerset TA18 7HQ, UK

www.rotalink.com