

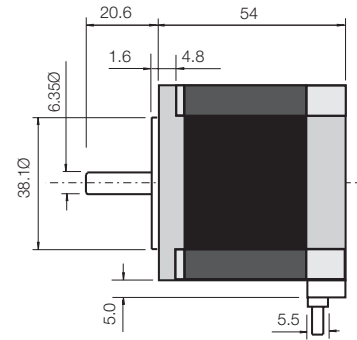
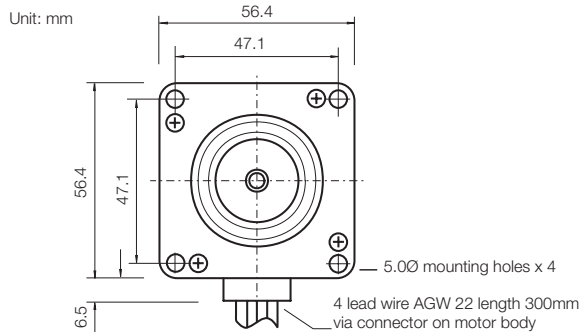
Hybrid Stepping Motors

M235418K46.8

Issue 03

Rotalink

Miniature Motors, Transmission and Control

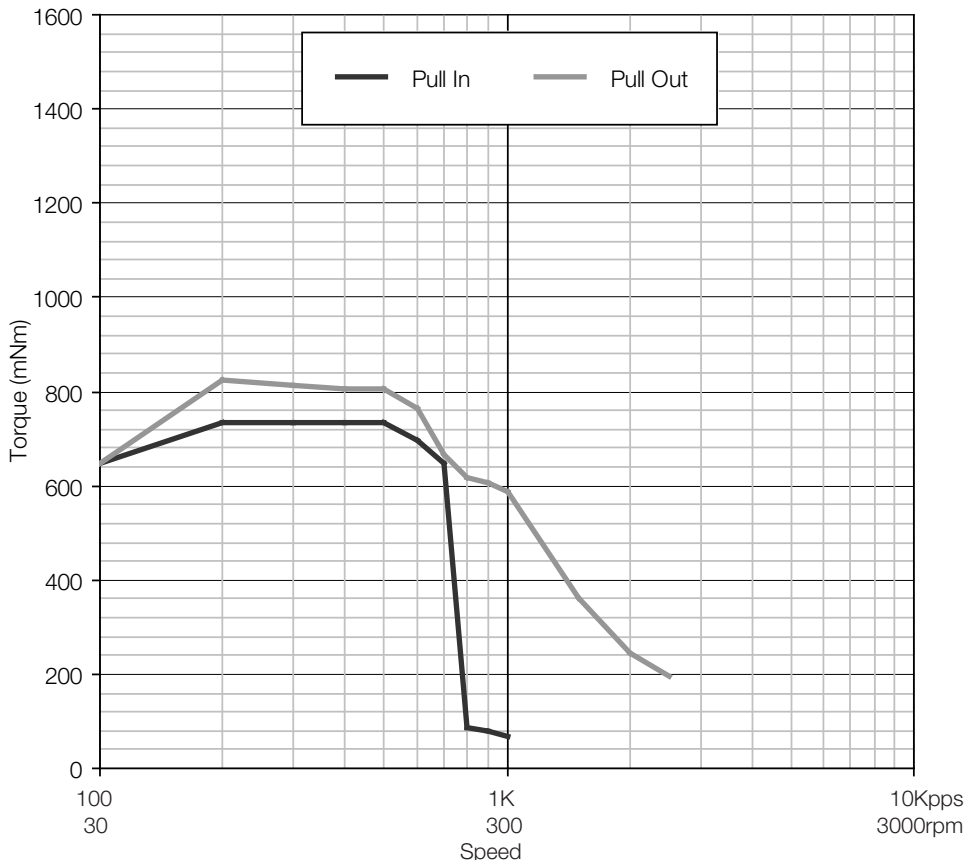


Model Number	Phase voltage (V)	Phase current (A)	Phase resistance (Ω)	Phase inductance (mH)	Detent torque (mNm)	Winding
M235418K46.8	7.2	1.1	6.8	25.6	34.3	Bi-polar

General Specification

Holding Torque	799.0mNm
Step angle	1.8 $^\circ$
Step accuracy	$\pm 5\%$
Rotor Inertia	28.0 kgm 2 x10 $^{-6}$
Temperature rise	80 $^\circ$ C (max.)
Ambient temp. range	-20 $^\circ$ C to +50 $^\circ$ C
Insulation resistance	100M Ω (min) at 500V DC
Dielectric strength	500V AC 1min
Radial play	0.02mm (max.) with 450g load
Weight	680g

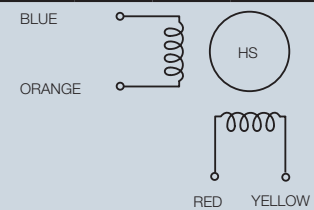
Characteristics



Drive: Full step bi-polar drive @ 40V & nominal phase current
Load Inertia: 103.3x10 $^{-6}$ kgm 2

Full step bi-polar sequence

CW dir.	Step 1	Step 2	Step 3	Step 4
Blue	-	+	+	-
Orange	+	-	-	+
Red	+	+	-	-
Yellow	-	-	+	+



Contact:

www.rotalink.com
info@rotalink.com
T: +44 (0)1460 72000
F: +44 (0)1460 74278

Rotalink Limited
Cropmead, Crewkerne
Somerset TA18 7HQ, UK

www.rotalink.com