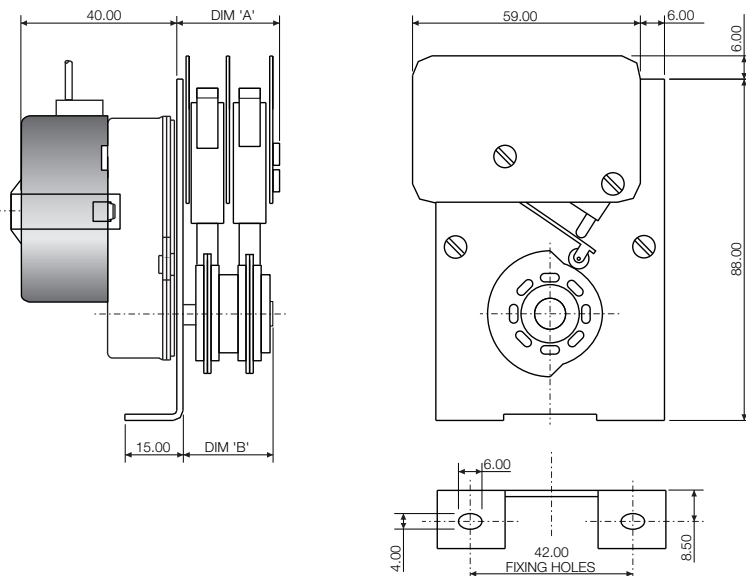


# Cam Timers

OEM

Issue 04:CN4100



Number of Switches	Dim A	Dim B
1	18.5	16
2	30.5	25

## General Specification

Electrical supply: 110/240V, 50/60Hz  
 Switch rating: 16A 24V change over  
 Connections:  
 Switch: ¼ inch spade push on terminals  
 Motor: ¼ inch spade push on terminals

Standard OEM Cam Timers are fitted with adjustable cams. Each cam may be programmed to provide one switch operation per cycle.

## Ordering Information

Model: OEM  
 Number of channels (switches)  
 Cycle time  
 Supply Voltage (V)  
 Supply frequency (Hz)

Eg: OEM/2, 6 minutes, 240V, 50Hz

Rotalink's OEM Cam Timers are available in any combination of the following cycle times, number of channels (switches) and electrical supplies.

Cycle times and channels available	
Seconds per cycle	
Minutes per cycle	1, 2, 12*, 72*, 120
Hours per cycle	
Number of channels (switches)	1, 2

\* Not available with 60Hz electrical supply

Contact:  
[www.rotalink.com](http://www.rotalink.com)  
[info@rotalink.com](mailto:info@rotalink.com)  
 T: +44 (0)1460 72000

Rotalink Limited  
 Cropmead, Crewkerne  
 Somerset TA18 7HQ, UK

[www.rotalink.com](http://www.rotalink.com)