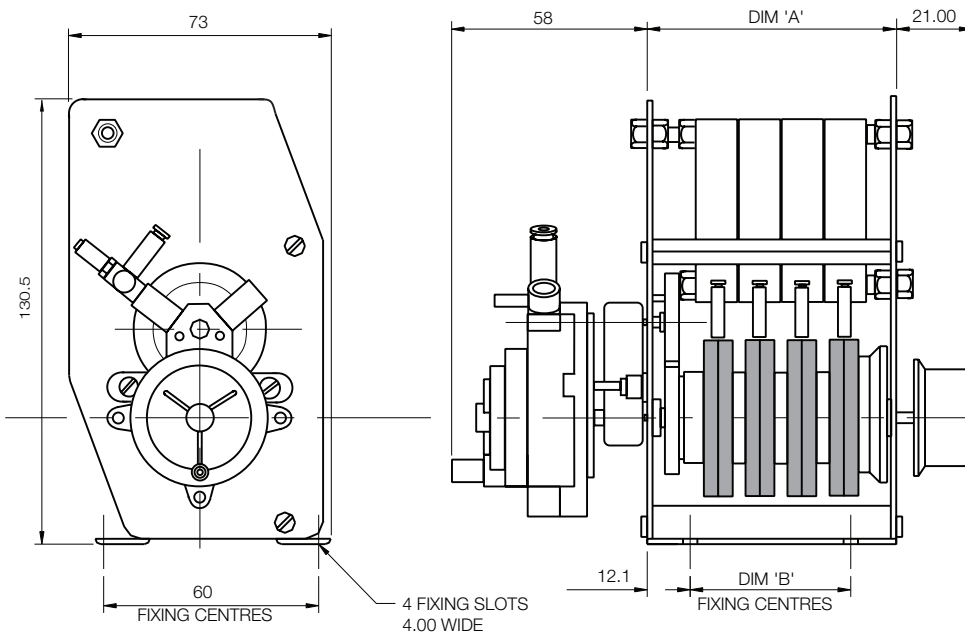


Cam Timers

PN63

Issue 07:CN3815



Number of Valves	Dim A	Dim B
2	63.2	38.8
4	103.2	78.8
5	123.2	98.8

General Specification

Motor connections:

Pneumatic: 4mm Push on
Pneumatic Valve: Model KV1643
Lever activated
spool valve 3/2
normally closed

Valve connection: 4mm Push in fitting

Standard PN Pneumatic Cam Timers are fitted with adjustable cams. Each cam may be programmed to provide one valve operation per cycle.

Ordering Information

Model: PN63
Number of valves
Speed

Eg: PN63/2, 4 minutes, 70psi

Rotalink's PN Pneumatic Cam Timers are available in any combination of the following cycle times, number of channels (valves) and drive methods.

Cycle times, drive methods and channels available	
Minutes per cycle	4, 8, 10, 20
Pneumatic Motor	25 to 100 psi
Number of channels (switches)	2, 4, 5

Contact:

www.rotalink.com
info@rotalink.com
T: +44 (0)1460 72000

Rotalink Limited
Cropmead, Crewkerne
Somerset TA18 7HQ, UK

www.rotalink.com