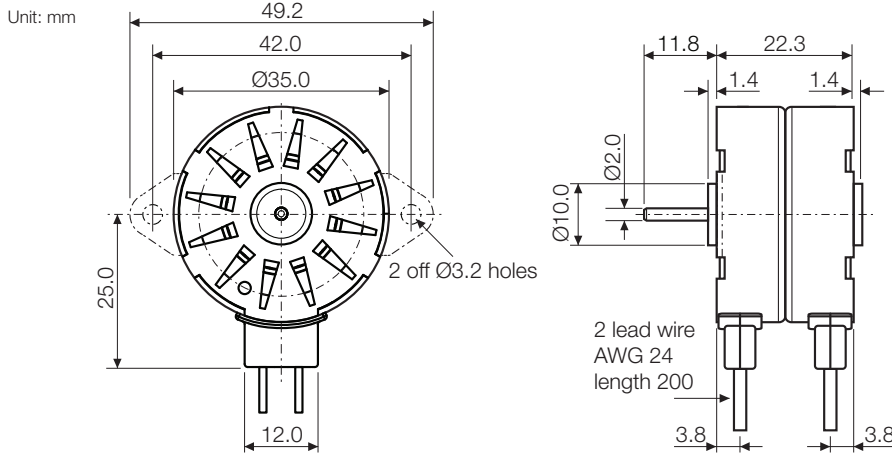
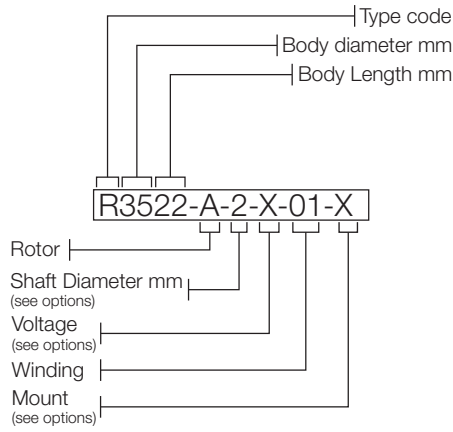


# AC Motors

R3522

Issue 03:CN4096

**Rotalink**  
Miniature Motors, Transmission and Control



## General Specification

Speed	250 rpm @ 50Hz 300 rpm @ 60Hz
Ambient temperature range	-5 to 50°C
Dielectric strength	2000V AC 1 sec.
Insulation class	E
Weight	80g

Model	Voltage** V	Phasing Capacitor $\mu$ F	Current mA	Output Power *** W	Running torque*** mNm	Temp. rise °C
Coils in series						
R3522-A2A02X	230	0.33 (330VAC)	15	0.2	8	60
R3522-A2B04X	115	1.20 (250VAC)	30	0.2	8	60

## Motor Options

Shaft Diameter (ØD) - 2mm  
Voltage - 230V (A), 115V (B)  
Mount - Clip (C), Adaptor Plate (S)

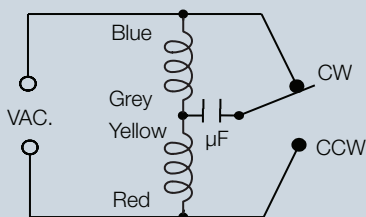
Alternative lead lengths

\*\*  $\pm$ 10% Please contact Rotalink if you wish to run this motor at other voltages.

\*\*\* @ nominal voltage, 50Hz and 20°C.

## Connections

COILS IN SERIES



## Contact:

www.rotalink.com  
info@rotalink.com  
T: +44 (0)1460 72000

Rotalink Limited  
Cropmead, Crewkerne  
Somerset TA18 7HQ, UK

www.rotalink.com

This drawing and any information, descriptions and know how contained hereon (altogether "the drawing") are confidential and are the sole property of Rotalink Limited. Rotalink Limited owns all copyright, design right and all other intellectual property in the drawing and neither the drawing nor any part of it may be disclosed, loaned, copied, used for manufacturing or in relation to tenders or used for any other purpose without the express written permission of Rotalink Limited.

The contents of this data sheet are intended as reference material not product specification and are subject to alteration without prior notice. Please contact our sales team for detailed information.