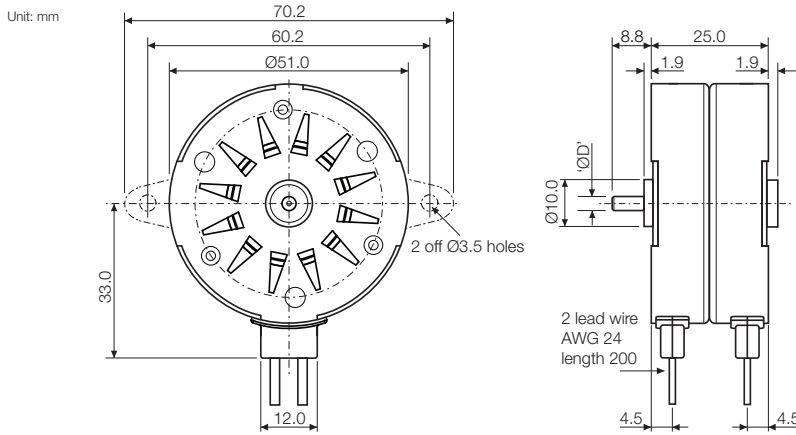
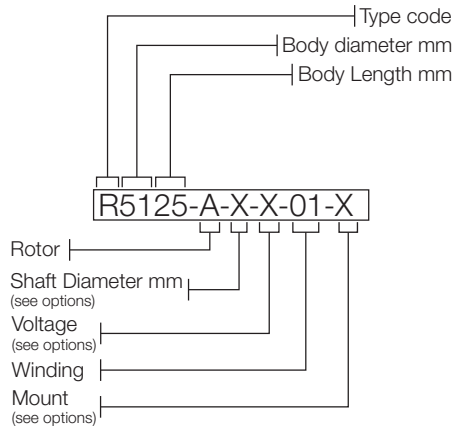


AC Motors

R5125

Issue 04:CN4382

Rotalink
Miniature Motors, Transmission and Control



General Specification

Speed	250 rpm @ 50Hz 300 rpm @ 60Hz
Ambient temperature range	-5 to 50°C
Dielectric strength	2000V AC 1 sec.
Insulation class	E
Weight	190g

Model	Voltage** V	Phasing Capacitor μ F	Current mA	Output Power *** W	Running torque*** mNm	Temp. rise °C
Coils in parallel						
R5125-AXA01X	230	0.15 (330VAC)	27	1.0	37	55
R5125-AXB03X	115	0.56 (250VAC)	55	1.0	37	55

** \pm 10% Please contact Rotalink if you wish to run this motor at other voltages.

*** @ nominal voltage, 50Hz and 20°C.

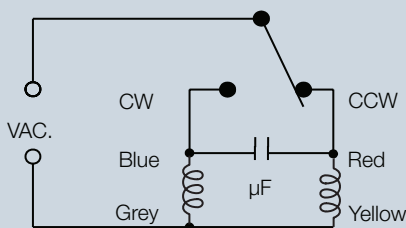
Motor Options

Shaft Diameter (\varnothing D) - 2mm, 3mm
Voltage - 230V (A), 115V (B)
Mount - Clip (C), Adaptor Plate (S)

Alternative lead lengths

Connections

COILS IN PARALLEL



Contact:

www.rotalink.com
info@rotalink.com
T: +44 (0)1460 72000

Rotalink Limited
Cropmead, Crewkerne
Somerset TA18 7HQ, UK

www.rotalink.com