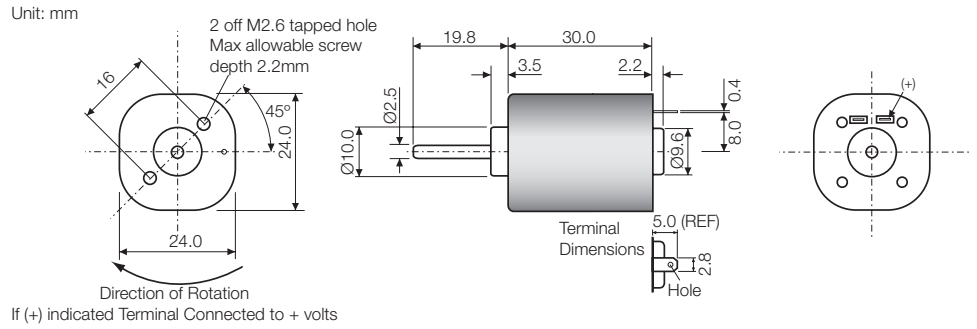


DC Motors

RE2430-1205

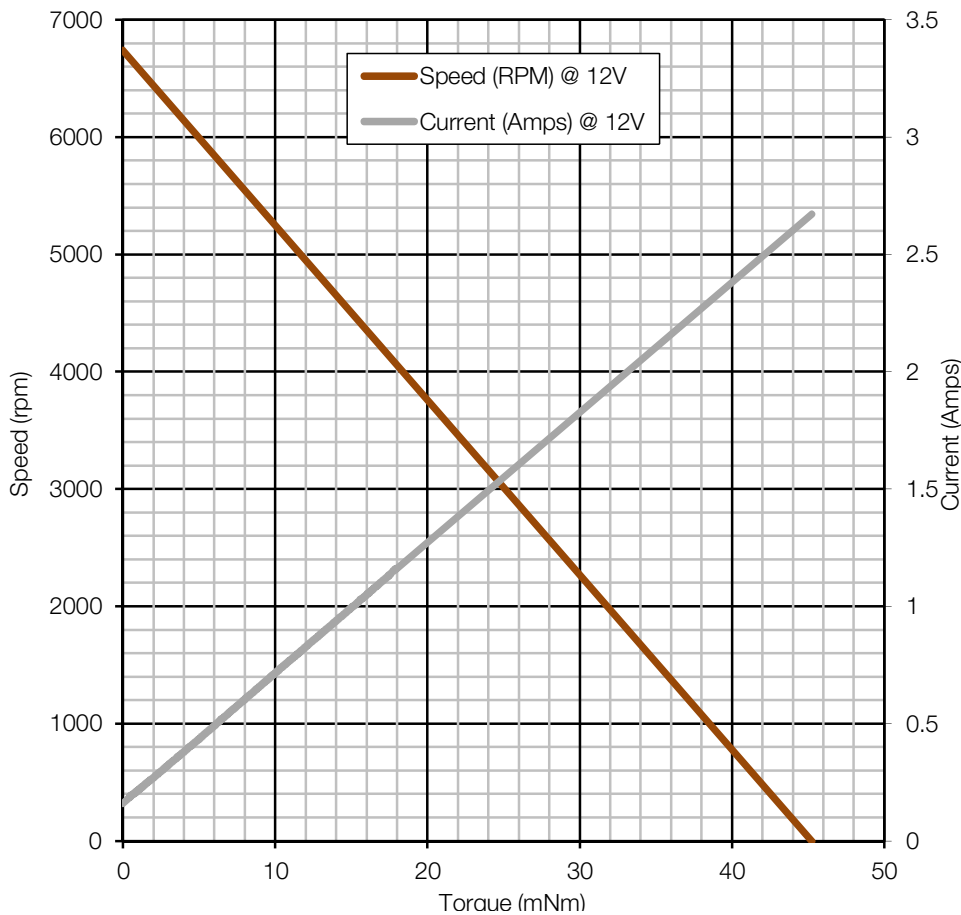
Issue 05:CN3816



| Model Number | Performance | | | | | | | | | |
|--------------|-------------|-----------|-----------|--------------------|-----------|------------|----------|------------|-----------|-------------|
| | Volts V | No Load | | Maximum Efficiency | | | | Stall | | Max Power W |
| | | Speed rpm | Current A | Speed rpm | Current A | Torque mNm | Output W | Torque mNm | Current A | |
| RE2430-1205 | 12 | 6740 | 0.16 | 5341 | 0.64 | 8.57 | 4.80 | 45.24 | 2.67 | 7.98 |

Performance characteristics and general specification are measured from sample motor.

Characteristics



General Specification

| | |
|-----------------------|----------------|
| Bearings | Sintered |
| Brushes | Carbon |
| Rotation | Bi-directional |
| Number of poles | 10 |
| Operating voltage | 8 V to 13 V |
| Nominal resistance | 6 Ω |
| Typical detent torque | 5 mNm |
| Suppression | None |
| Weight | 60 g |

Contact:

www.rotalink.com
 info@rotalink.com
 T: +44 (0)1460 72000

Rotalink Limited
 Cropmead, Crewkerne
 Somerset TA18 7HQ, UK

www.rotalink.com