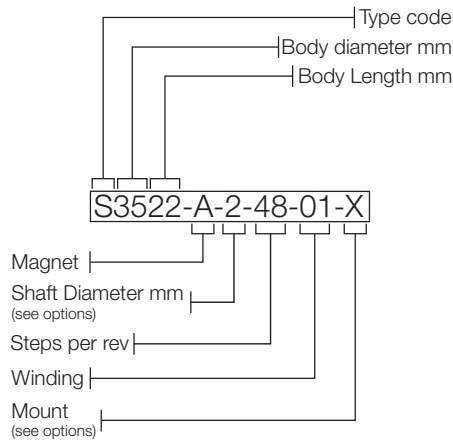


# Permanent Magnet Stepping Motors

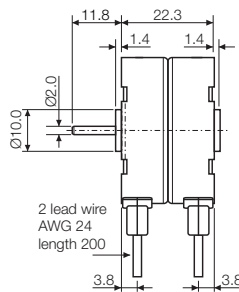
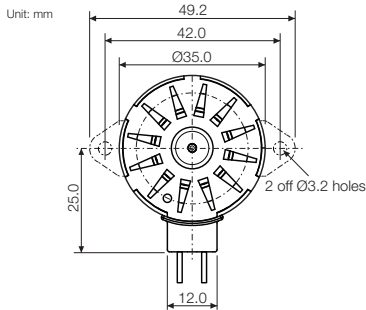
S3522

Issue 01:CN4098

**Rotalink**  
Miniature Motors, Transmission and Control



Model Number	Phase voltage (V)	Phase current (A)	Phase resistance (Ω)	Phase inductance @ 50Hz (mH)	Winding
S3522-A2-48-01X	10	0.12	7	165	Bipolar



## General Specification

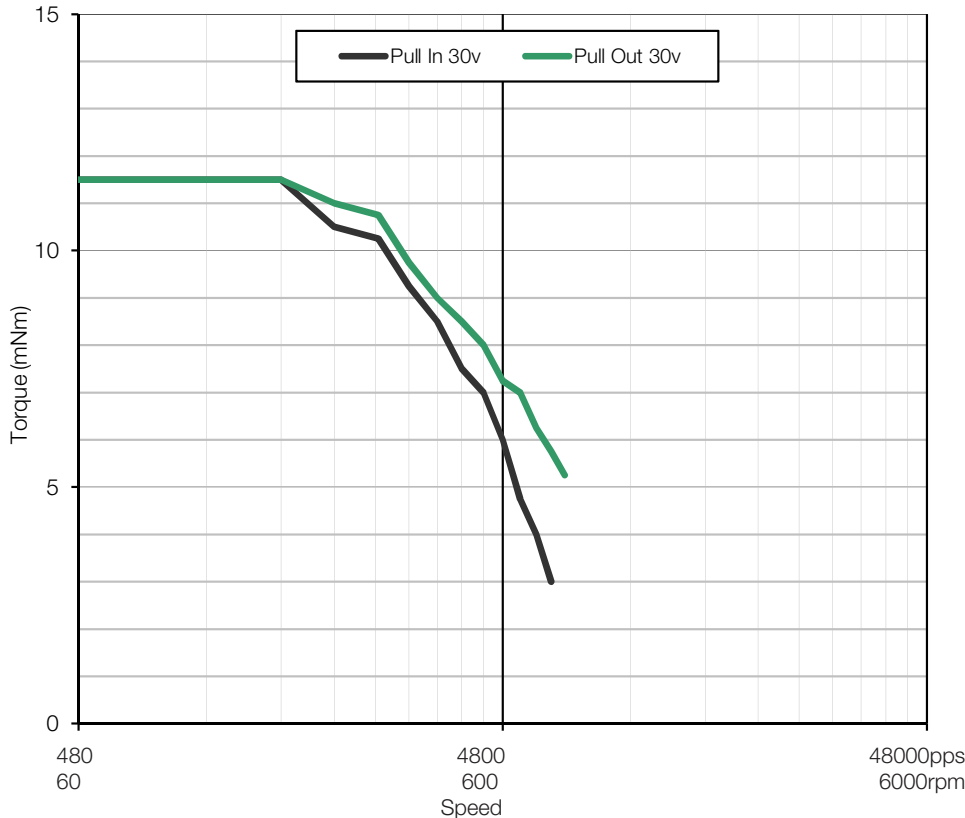
Holding torque	21mNm
Step angle	7.5°
Rotor Inertia	0.5 kgm <sup>2</sup> x10 <sup>-6</sup>
Temperature rise	60°C
Ambient temp. range	-5°C to +50°C
Dielectric strength	500V AC 1sec
Weight	80g

## Motor options

Shaft Diameter (ØD) - 2mm  
Mount - Clip (C), Adaptor Plate (S)

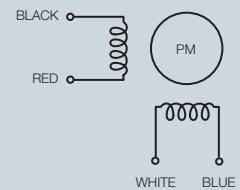
Alternative voltage/phase resistance  
Alternative lead lengths

## Characteristics



## Full step bipolar sequence

CW dir.	Step 1	Step 2	Step 3	Step 4
Black	-	+	+	-
Red	+	-	-	+
White	+	+	-	-
Blue	-	-	+	+



## Contact:

[www.rotalink.com](http://www.rotalink.com)  
[info@rotalink.com](mailto:info@rotalink.com)  
 T: +44 (0)1460 72000

Rotalink Limited  
 Cropmead, Crewkerne  
 Somerset TA18 7HQ, UK

[www.rotalink.com](http://www.rotalink.com)