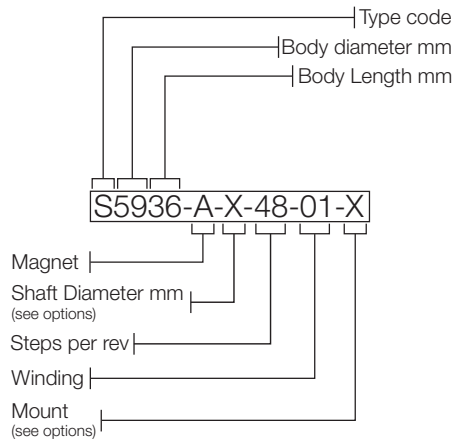


Permanent Magnet Stepping Motors

S5936

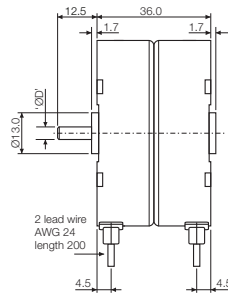
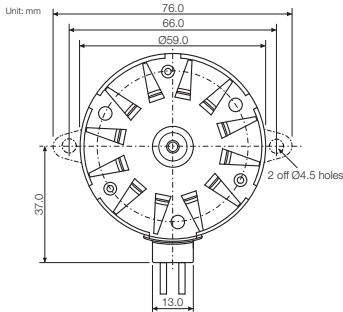
Issue 02:CN4382



Rotalink

Miniature Motors, Transmission and Control

Model Number	Phase voltage (V)	Phase current (A)	Phase resistance (Ω)	Phase inductance @ 50Hz (mH)	Winding
S5936-AX-48-01X	4	0.60	6.5	30	Bipolar



General Specification

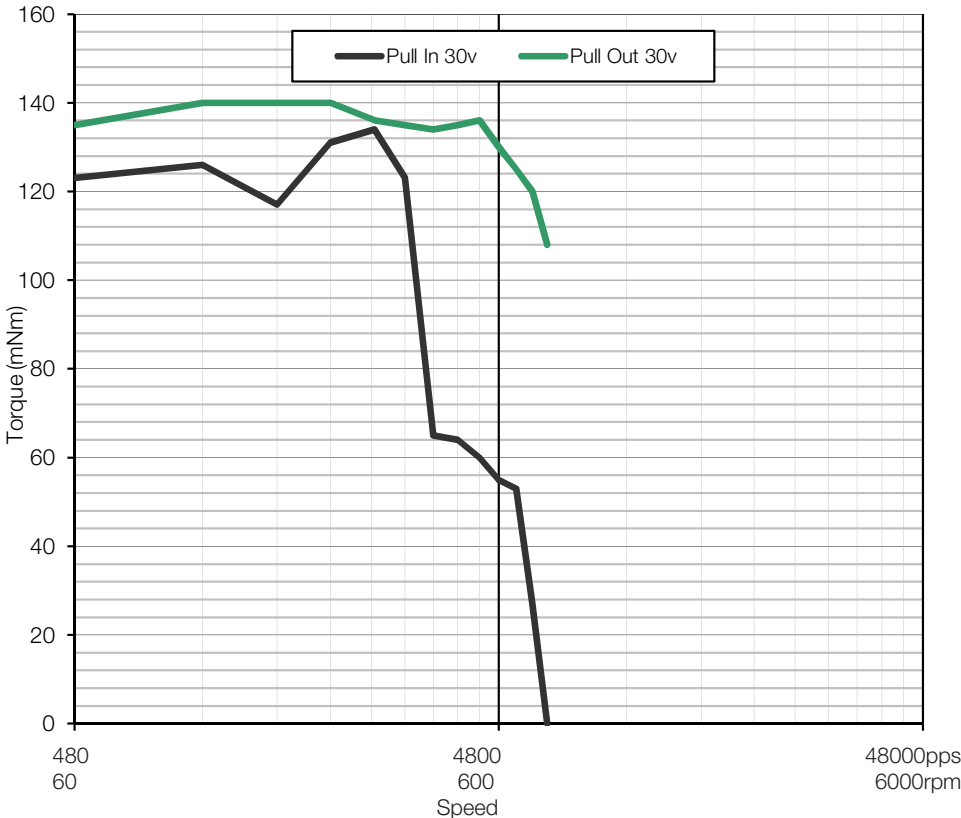
Holding torque	170mNm
Step angle	7.5°
Rotor Inertia	11.0 kgm ² x10 ⁻⁶
Temperature rise	60°C
Ambient temp. range	-5°C to +50°C
Dielectric strength	500V AC 1sec
Weight	350g

Motor options

Shaft Diameter (ØD) - 3mm, 4mm
Mount - Clip (C), Adaptor Plate (S)

Alternative voltage/phase resistance
Alternative lead lengths

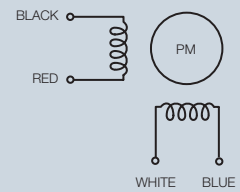
Characteristics



Drive: Microstep/full step morphing chopper drive @ 30V & phase current
Load Inertia: 2.10 x 10⁻⁵ kgm²

Full step bipolar sequence

CW dir.	Step 1	Step 2	Step 3	Step 4
Black	-	+	+	-
Red	+	-	-	+
White	+	+	-	-
Blue	-	-	+	+



Contact:

www.rotalink.com
info@rotalink.com
T: +44 (0)1460 72000

Rotalink Limited
Cropmead, Crewkerne
Somerset TA18 7HQ, UK

www.rotalink.com