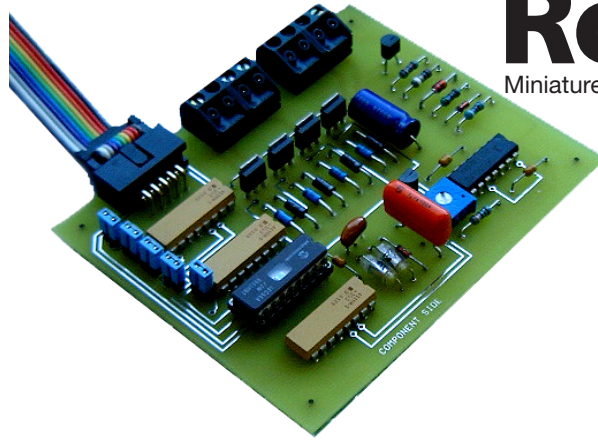


Permanent Magnet and Hybrid Stepping Motors

SM04

Programmable controller

Issue 03



The SM04 is a programmable drive designed for uni-polar (6 lead) motors that can be programmed to meet the customer's prototyping application. It operates from a supply voltage of 6 to 24V with a maximum phase current of 1A. The driver can provide either standard or custom configurations.

In standard mode the output can provide full-step and half-step configurations at a range of preprogrammed stepping rates.

In custom mode the programmable IC allows the drive to be configured by Rotalink to execute a wide range of sequences of controlled functions to the customers specification. These functions include step, pause and reverse direction. The functions can be triggered and inhibited by control inputs such as microswitches, hall-effect switches or other external signals.

Wiring Table

Connector A 4 way connector		Connector B 4 way connector		Connector C 10 Way IDC Header
Pin No.	Connection	Pin No.	Connection	Connections depend on application and will be set when the drive is programmed.
1	Motor Supply (6-24V)	1	Motor Phase B1	
2	0V	2	Motor Phase B2	
3	Motor Phase A centre	3	Motor Phase A1	
4	Motor Phase B centre	4	Motor Phase A2	

General Specification

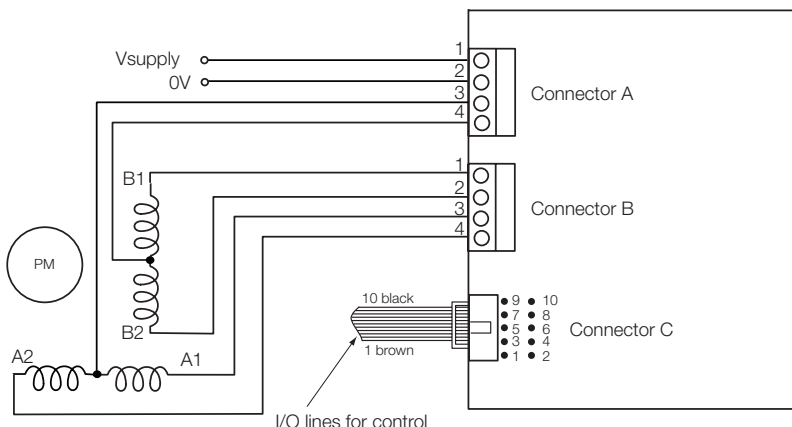
Motor type	4 phase uni-polar
Board supply voltage	6-24V DC
Motor supply voltage	6-24V DC
Motor phase current	1.0A max.
Motor speeds	1-250 P.P.S.
Operating temp. range	0-50°C

Connectors

Power	2 pin screw terminal
Motor	3x 2 pin screw terminal
Inputs / Outputs	10 way IDC header

PCB Board

Board size	100mm x 80mm
Hole size	Diameter 1.0mm



Contact:

www.rotalink.com
info@rotalink.com
T: +44 (0)1460 72000
F: +44 (0)1460 74278

Rotalink Limited
Cropmead, Crewkerne
Somerset TA18 7HQ, UK

www.rotalink.com