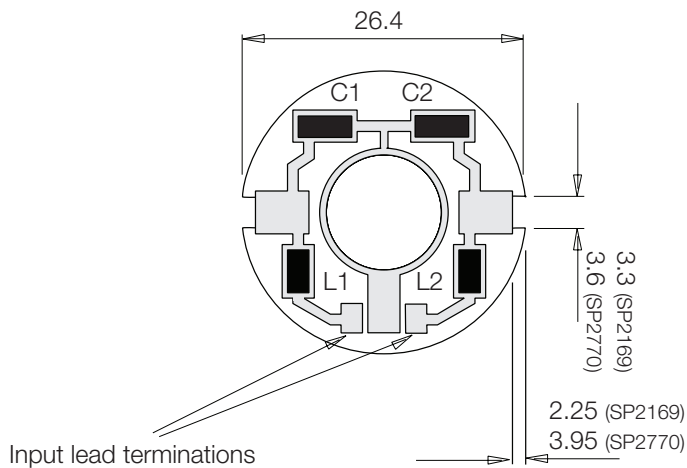


DC Motors

EMC Suppression SP2169 & SP2770

Issue 04



General Specification

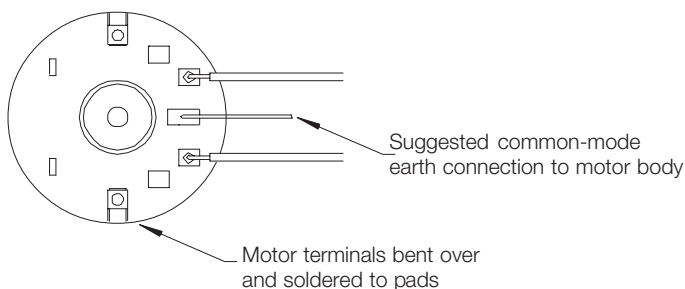
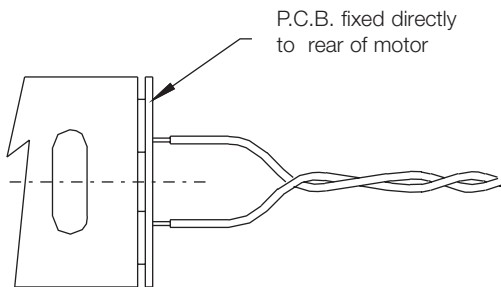
Capacitors C1 & C2	4.7nF
Inductors L1 & L2	0.33μH
Maximum continuous current	250mA
Conductive EMC reduction*	20dB

*Typical value. This will naturally vary with each individual case. An EMC pre-compliance facility is available in-house for further guidance.

Motor Options

SP2169 is designed to be fitted to our D28xx and D29xx motors
SP2770 fits our D3218 -11650C motor

Motor Fitment



Contact:

www.rotalink.com
info@rotalink.com
T: +44 (0)1460 72000
F: +44 (0)1460 74278

Rotalink Limited
Cropmead, Crewkerne
Somerset TA18 7HQ, UK

www.rotalink.com