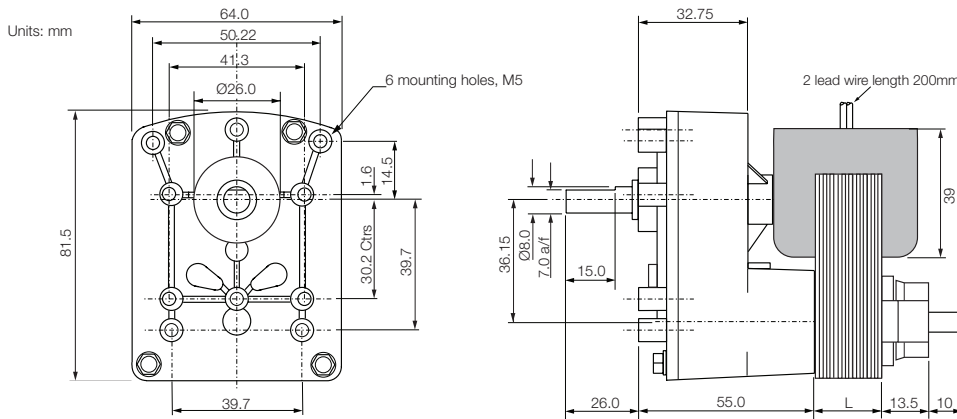


AC Motors

AC Shaded Pole Motor/Gearbox

Issue 05



Typical Ratios

- 11:1 (2001:176)
- 22:1 (18879:851)
- 33:1 (756:23)
- 53:1 (160:3)
- 100:1 (1101681:10982)
- 147:1 (5735736:39083)

Gearbox Options

- Special Shafts
- Roller Bearings
- Fan
- Brakes

Model	Length 'L' (mm)	Voltage* (V)	Current (A)	Input Power (W)
SPM13	13	240	0.15	15
		110	0.30	18
SPM19	19	240	0.21	21
		110	0.40	26
SPM25	25	240	0.22	25
		110	0.58	32
SPM38	38	240	1.00	95
		110	2.00	90

* Please contact Rotalink if you wish to run this motor at other voltages

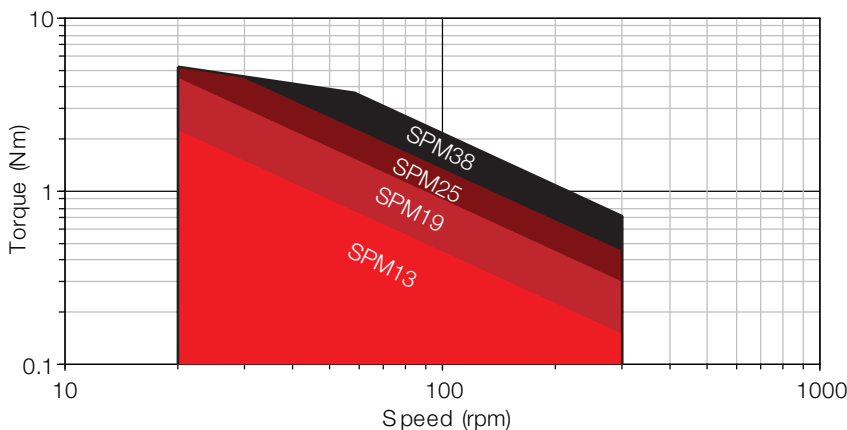
Motor Specification

- Frequency 50/60Hz
- Speed 2900/3100rpm
- Insulation class F with 120°C thermal protection device

Gearbox specification

- Construction Diecast case + front plate
- Drive shaft Stainless steel
- Bearings Sintered steel
- Gearing Hobbed spur and helical gears using steel, brass, tufnol and nylon running on hardened spindles
- Temperature 80°C max at the gearcase

Characteristics



Contact:

www.rotalink.com
 info@rotalink.com
 T: +44 (0)1460 72000
 F: +44 (0)1460 74278

Rotalink Limited
 Cropmead, Crewkerne
 Somerset TA18 7HQ, UK

www.rotalink.com