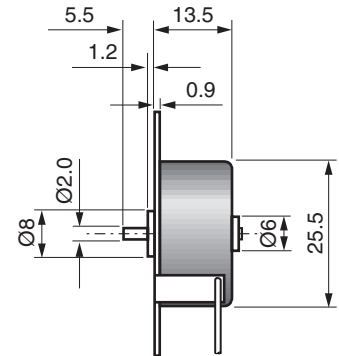
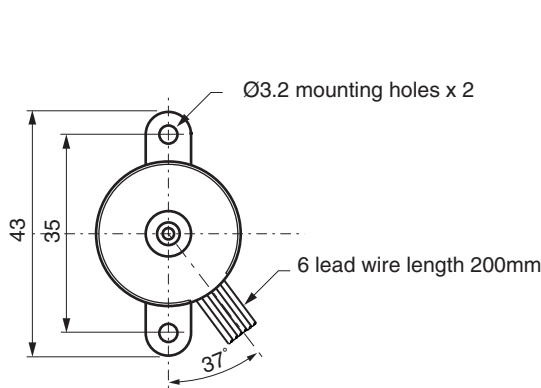


Units: mm



Model Number	Phase voltage V	Phase current A	Phase resistance Ω	Phase inductance mH	Holding torque mNm	Rotor inertia kgm <sup>2</sup> x10 <sup>-6</sup>	Weight g	Winding
SU2513-048-021-06	6	0.240	21	6	15	0.07	28	Uni-polar
SU2513-048-080-12	12	0.150	80	22				

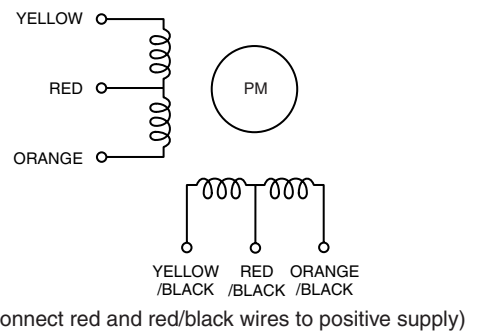
**General specification**

Step angle 7.5°  
 Temperature rise 80°C  
 Ambient temperature range -5°C to +60°C

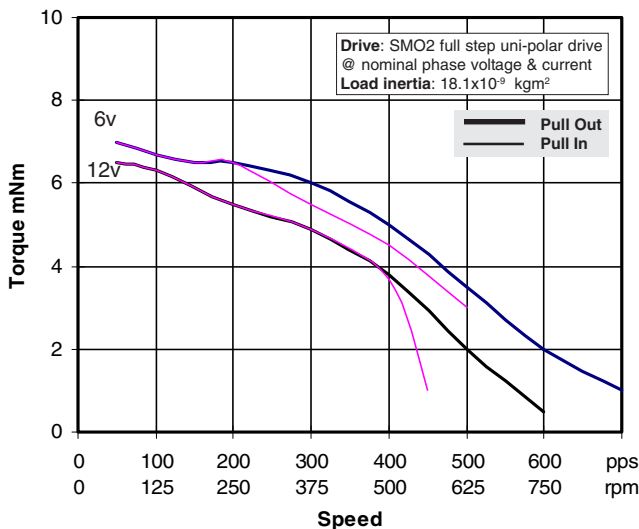
**Full step uni-polar switching sequence**

	YELLOW	ORANGE	YELLOW /BLACK	ORANGE /BLACK
Step 1	Off	On	Off	On
Step 2	On	Off	Off	On
Step 3	On	Off	On	Off
Step 4	Off	On	On	Off

Clockwise rotation.



**Characteristics**



**Motor options**

- Alternative voltage/phase resistance
- Alternative shaft lengths
- Alternative lead lengths
- 10mm front bearing