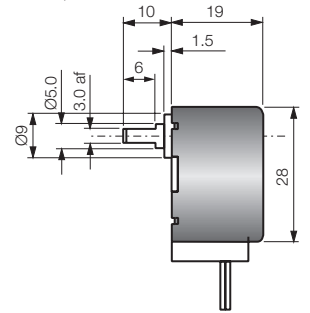
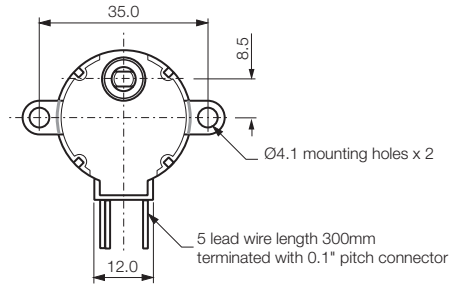


# Permanent Magnet Stepping Motors

SU2819-032

Issue 03

Units: mm



# Rotalink

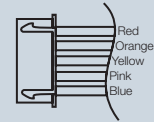
Miniature Motors, Transmission and Control

Model Number	Phase voltage (V)	Phase current (A)	Phase resistance (Ω)	Phase inductance (mH)	Detent torque (mNm)	Winding
SU2819-032-280-12	12	0.04	280	100.0	40.0	Uni-polar

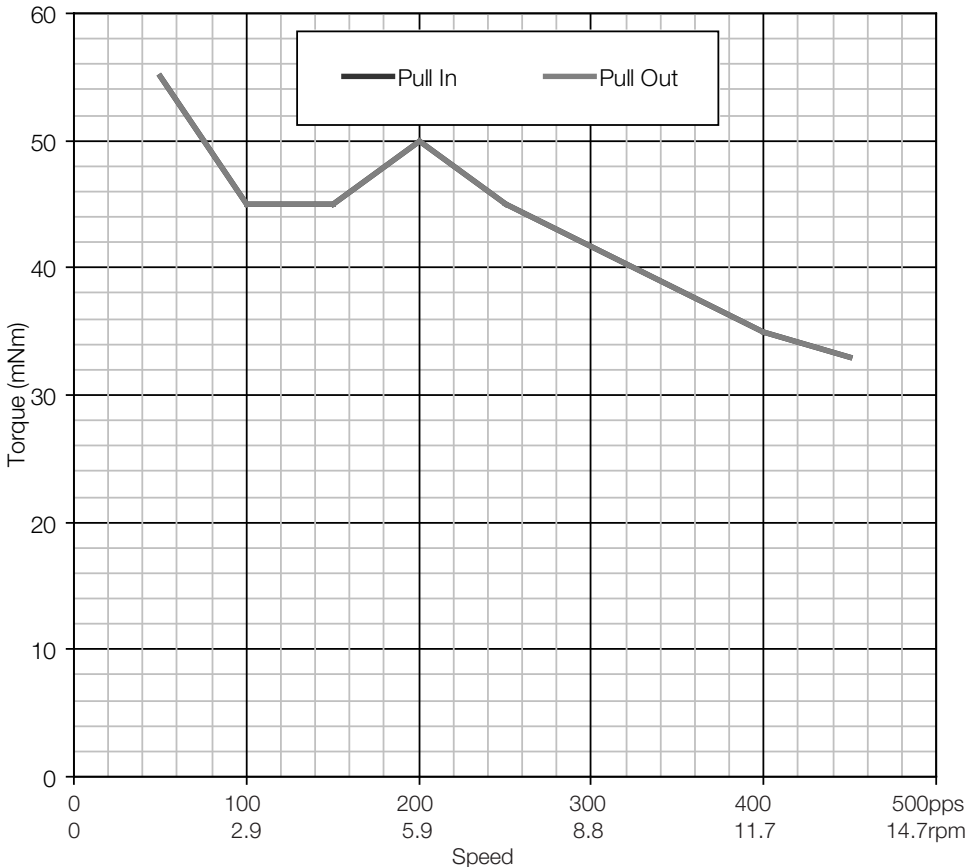
## General Specification

Holding torque (with clutch)	150mNm
Clutch	150mNm ±50%
Step angle	11.25°
Gearbox ratio	129766:2025 (64:1)
Temperature rise	50°C
Ambient temp. range	-5°C to +40°C
Dielectric strength	600V AC 1sec
Weight	40g

## Lead Termination



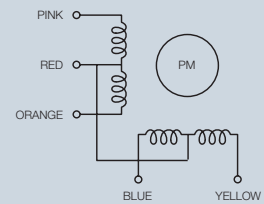
## Characteristics



Drive: SM02 full step uni-polar drive @ nominal phase voltage & current  
Load Inertia: 0.124x10<sup>-6</sup> kgm<sup>2</sup>

## Full step uni-polar sequence

CW dir.	Step 1	Step 2	Step 3	Step 4
Pink	Off	On	On	Off
Orange	On	Off	Off	On
Blue	Off	Off	On	On
Yellow	On	On	Off	Off



## Contact:

[www.rotalink.com](http://www.rotalink.com)  
[info@rotalink.com](mailto:info@rotalink.com)  
 T: +44 (0)1460 72000  
 F: +44 (0)1460 74278

Rotalink Limited  
 Cropmead, Crewkerne  
 Somerset TA18 7HQ, UK

[www.rotalink.com](http://www.rotalink.com)