

Permanent Magnet Stepping Motors

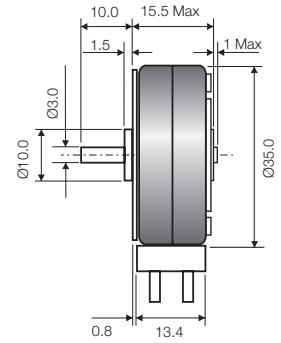
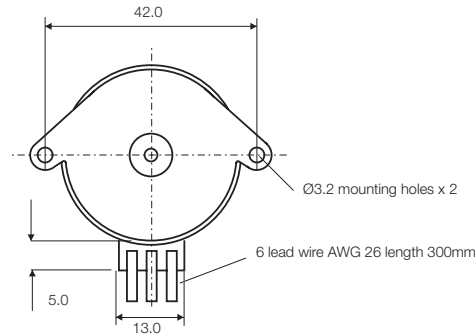
SU3516-048

Issue 05:CN3815

Rotalink

Miniature Motors, Transmission and Control

Units: mm

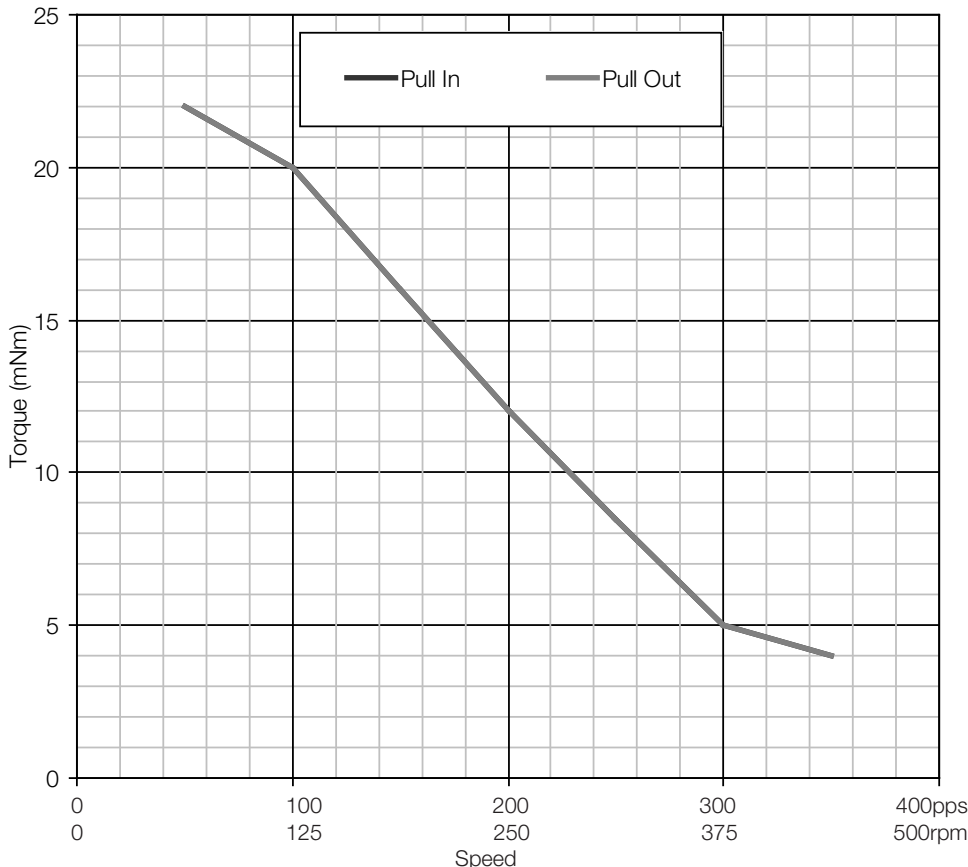


Model Number	Phase voltage (V)	Phase current (A)	Phase resistance (Ω)	Phase inductance (mH)	Winding
SU3516-048-050-12	12	0.240	50	28.0	Uni-polar

General Specification

Holding torque	39mNm
Step angle	7.5°
Rotor Inertia	0.32 kgm ² x10 ⁻⁶
Temperature rise	35°C
Ambient temp. range	-10°C to +50°C
Weight	63g

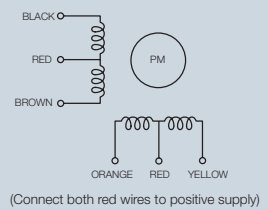
Characteristics



Drive: SM02 full step uni-polar drive @ nominal phase voltage & current
Load Inertia: 0.124x10⁻⁶ kgm²

Full step uni-polar sequence

CW dir.	Step 1	Step 2	Step 3	Step 4
Black	Off	On	On	Off
Brown	On	Off	Off	On
Orange	Off	Off	On	On
Yellow	On	On	Off	Off



Contact:

www.rotalink.com
info@rotalink.com
T: +44 (0)1460 72000

Rotalink Limited
Cropmead, Crewkerne
Somerset TA18 7HQ, UK

www.rotalink.com