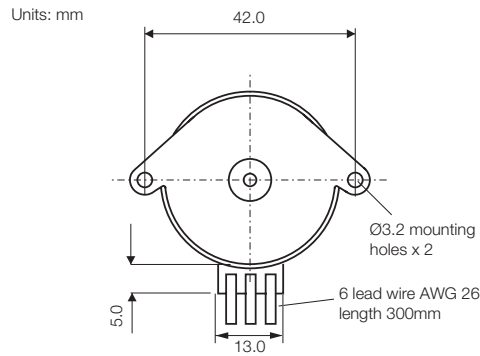


Permanent Magnet Stepping Motors

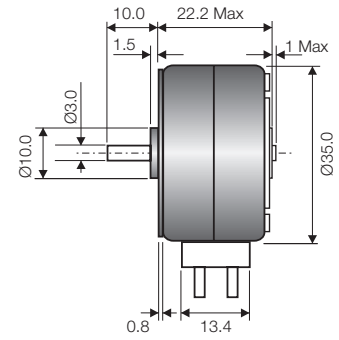
SU3522-048

Issue 05



Rotalink

Miniature Motors, Transmission and Control

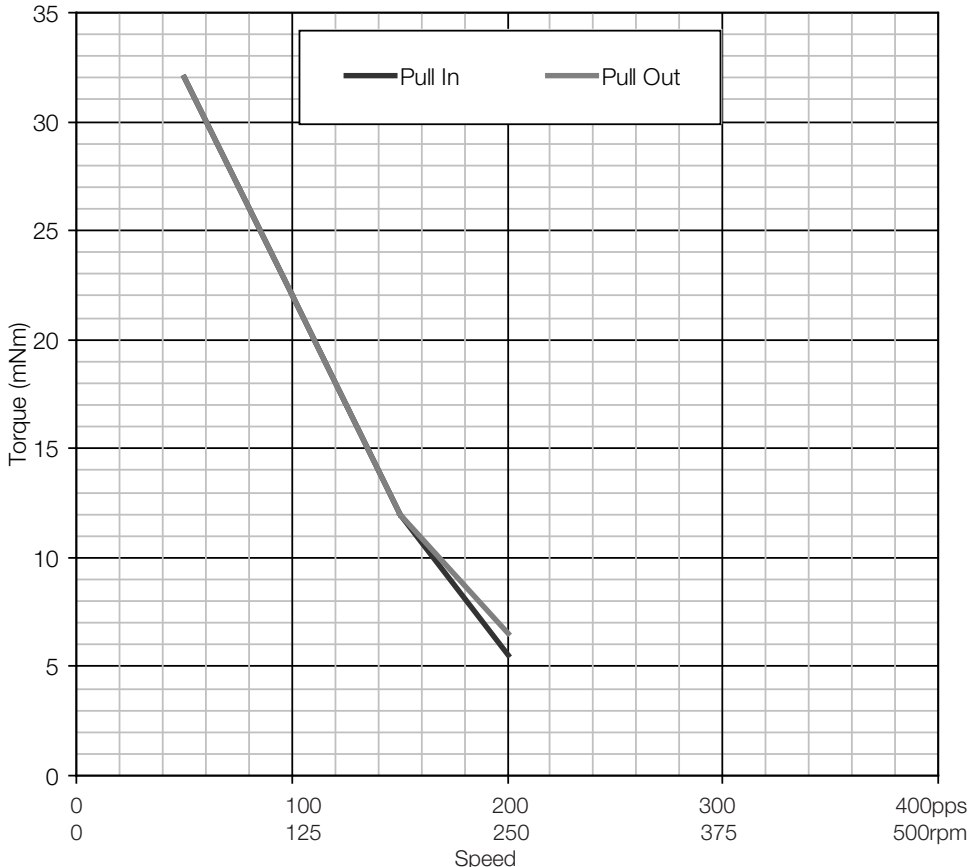


Model Number	Phase voltage (V)	Phase current (A)	Phase resistance (Ω)	Phase inductance (mH)	Winding
SU3522-048-076-12	12	0.160	76	70.0	Uni-polar

General Specification

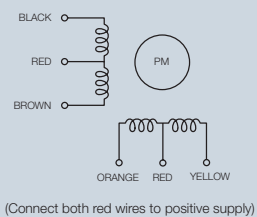
Holding torque	44mNm
Step angle	7.5°
Rotor Inertia	0.48 kgm ² x10 ⁻⁶
Temperature rise	35°C
Ambient temp. range	-10°C to +50°C
Weight	110g

Characteristics



Full step uni-polar sequence

CW dir.	Step 1	Step 2	Step 3	Step 4
Black	Off	On	On	Off
Brown	On	Off	Off	On
Orange	Off	Off	On	On
Yellow	On	On	Off	Off



Contact:

www.rotalink.com
info@rotalink.com
 T: +44 (0)1460 72000
 F: +44 (0)1460 74278

Rotalink Limited
 Cropmead, Crewkerne
 Somerset TA18 7HQ, UK

www.rotalink.com