

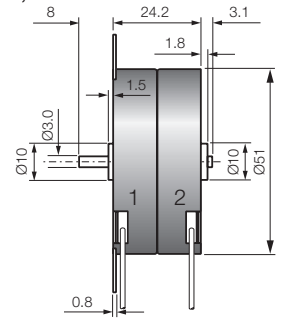
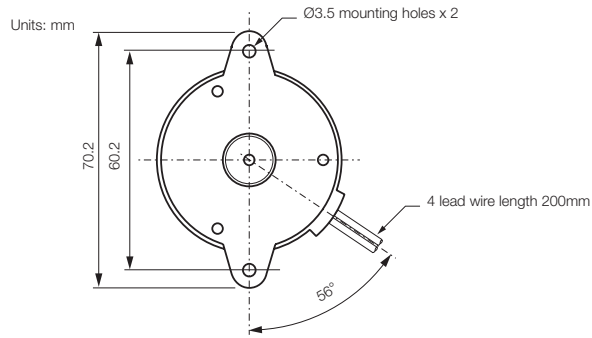
Permanent Magnet Stepping Motors

SYB5124-048

Issue 02:CN3815

Rotalink

Miniature Motors, Transmission and Control



Model Number	Phase voltage (V)	Phase current (A)	Phase resistance (Ω)	Phase inductance (mH)	Winding
SYB5124-048-007-03	3	0.43	7	15	Bi-polar
SYB5124-048-025-06	6	0.24	25	60	
SYB5124-048-100-12	12	0.12	100	240	
SYB5124-048-400-24	24	0.06	400	960	

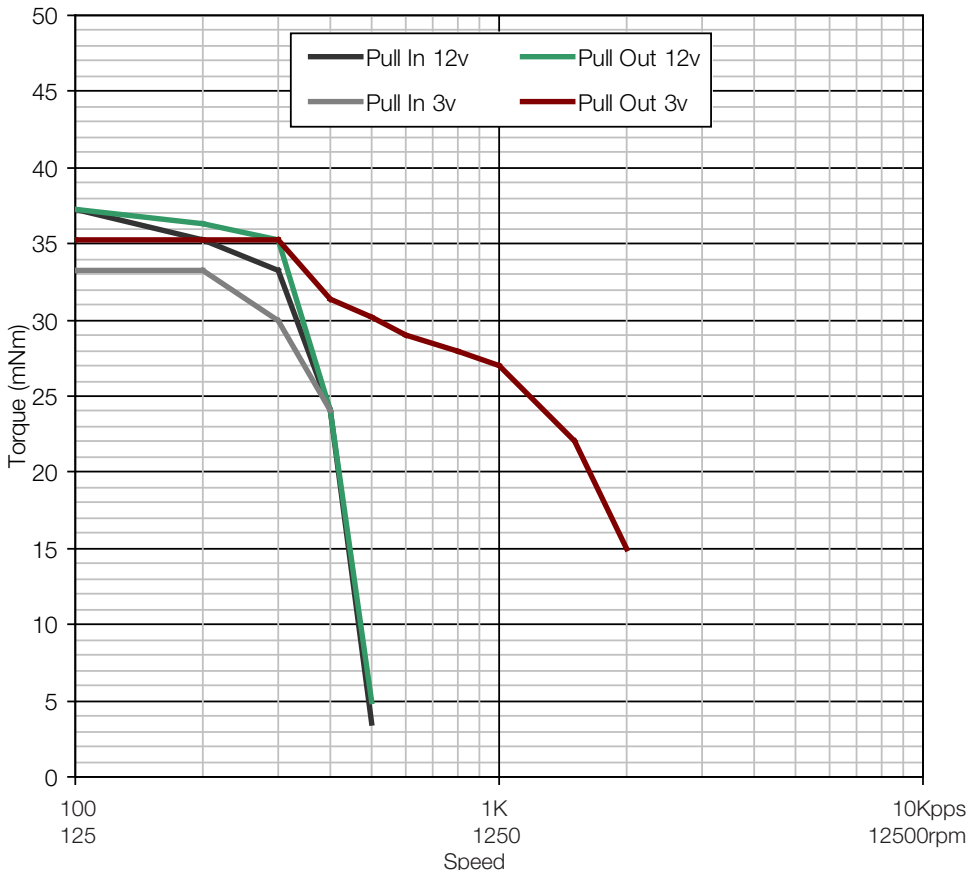
General Specification

Holding torque	50mNm
Step angle	7.5°
Rotor Inertia	1.2 kgm ² x10 ⁻⁶
Temperature rise	60°C
Ambient temp. range	-5°C to +60°C
Dielectric strength	500V AC 1sec
Weight	160g

Motor options

- Alternative voltage/phase resistance
- Alternative shaft lengths
- Alternative lead lengths

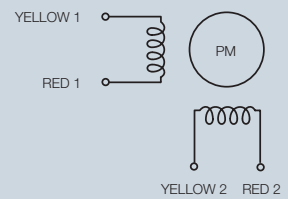
Characteristics



Drive: SM03 full step bi-polar drive @ 40V & nominal phase current
Load Inertia: 18.1x10⁻⁹ kgm²

Full step bi-polar sequence

CW dir.	Step 1	Step 2	Step 3	Step 4
Yellow1	-	+	+	-
Red1	+	-	-	+
Yellow2	+	+	-	-
Red2	-	-	+	+



Contact:

www.rotalink.com
info@rotalink.com
T: +44 (0)1460 72000

Rotalink Limited
Cropmead, Crewkerne
Somerset TA18 7HQ, UK

www.rotalink.com