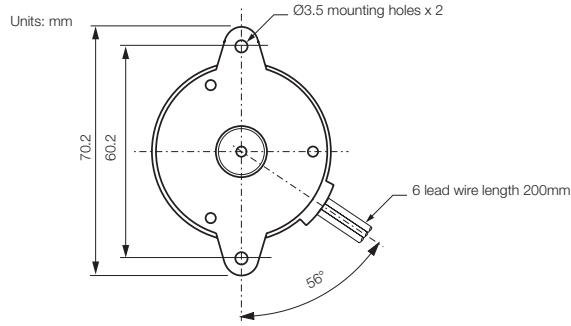


Permanent Magnet Stepping Motors

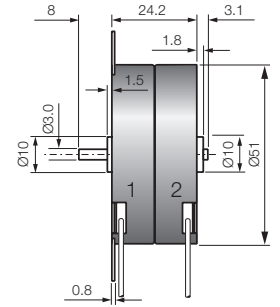
SYU5124-048

Issue 02:CN3815



Rotalink

Miniature Motors, Transmission and Control



Model Number	Phase voltage (V)	Phase current (A)	Phase resistance (Ω)	Phase inductance (mH)	Winding
SYU5124-048-007-03	3	0.43	7	6	Uni-polar
SYU5124-048-025-06	6	0.24	25	23	
SYU5124-048-100-12	12	0.12	100	90	
SYU5124-048-400-24	24	0.06	400	360	

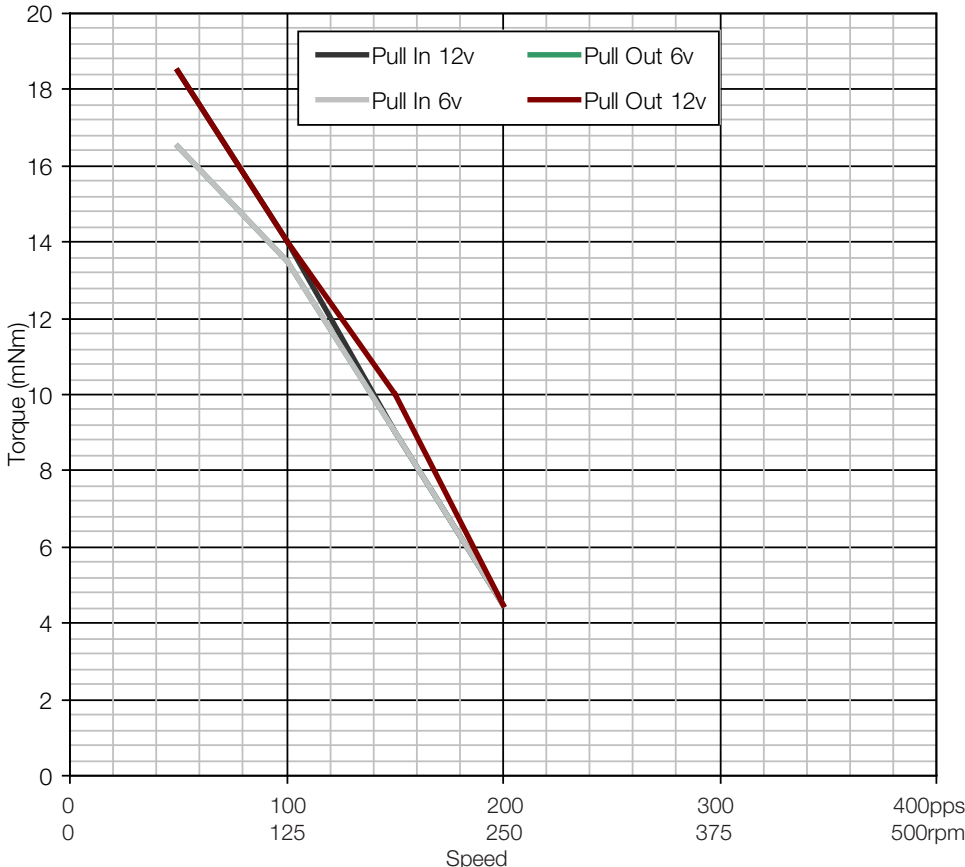
General Specification

Holding torque	38mNm
Step angle	7.5°
Rotor Inertia	1.2 kgm ² x10 ⁻⁶
Temperature rise	30°C
Ambient temp. range	-5°C to +65°C
Dielectric strength	500V AC 1sec
Weight	165g

Motor options

- Alternative voltage/phase resistance
- Alternative shaft lengths
- Alternative lead lengths

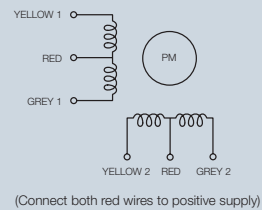
Characteristics



Drive: SM02 full step uni-polar drive @ nominal phase voltage & current
Load Inertia: 18.1x10⁻⁹ kgm²

Full step uni-polar sequence

CW dir.	Step 1	Step 2	Step 3	Step 4
Yellow 1	Off	On	On	Off
Grey 1	On	Off	Off	On
Yellow 2	Off	Off	On	On
Grey 2	On	On	Off	Off



Contact:

www.rotalink.com
info@rotalink.com
T: +44 (0)1460 72000

Rotalink Limited
Cropmead, Crewkerne
Somerset TA18 7HQ, UK

www.rotalink.com