

Gearboxes

Type 220

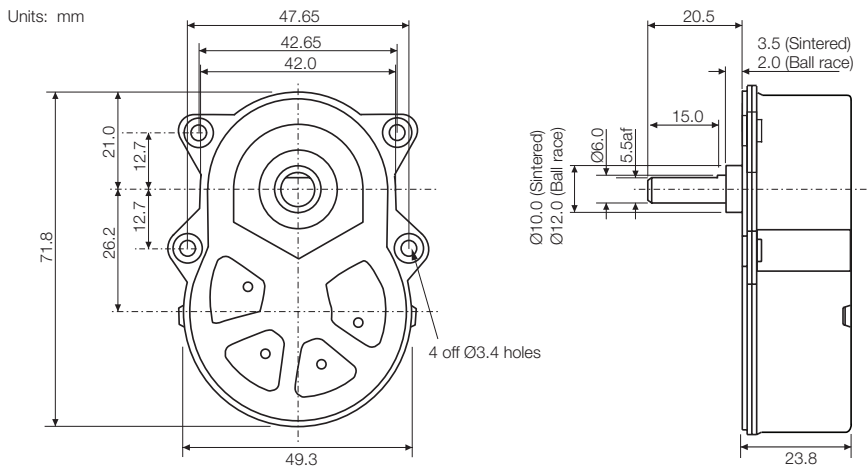
Spur Ovoid

Issue 07:CN5262



Rotalink

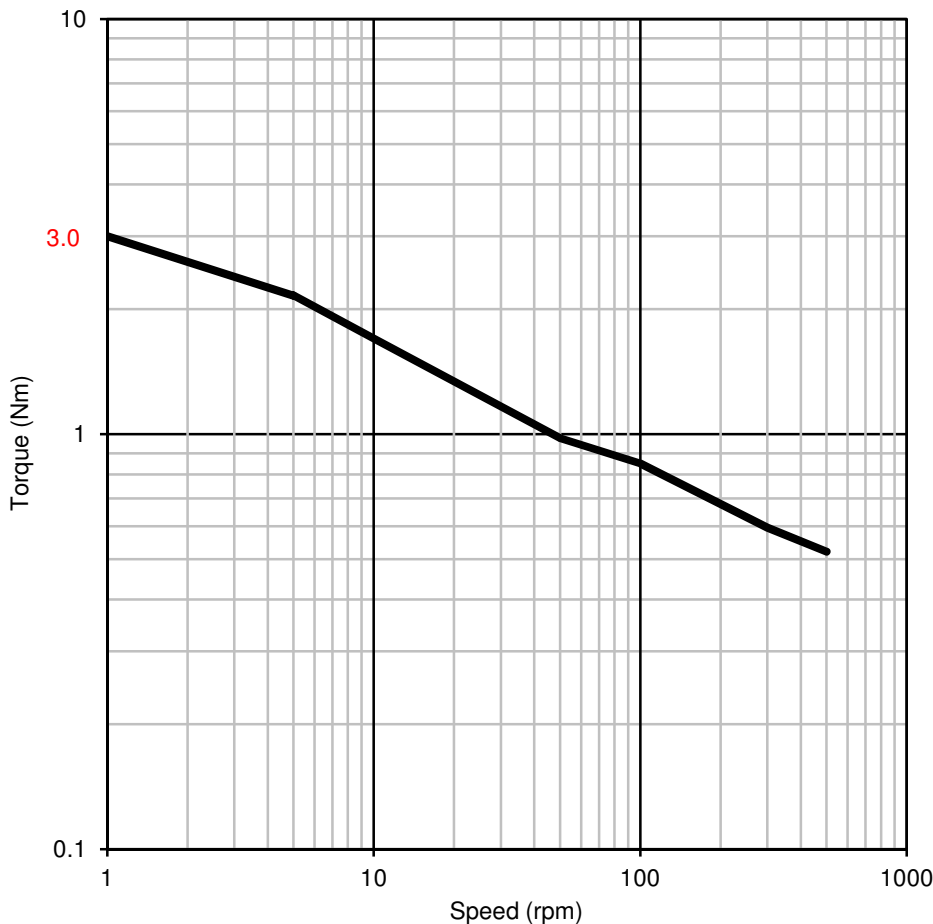
Miniature Motors, Transmission and Control



Typical Ratios

15:1	200:1
20:1	240:1
25:1	300:1
30:1	400:1
125:3	640:1
50:1	800:1
60:1	1080:1
80:1	1600:1
108:1	2560:1
120:1	3200:1
160:1	4320:1

Characteristics



General Specification

Zinc plated pressed steel gearbox case and front cover with 4 point fixing. Spur gears running on fixed steel spindles. Engineering polymer gears, stainless steel shaft, sintered bronze front and ball race back bearing. Maximum temperature 80°C at the gearcase.

Gearbox Options

- Special shafts
- Ball race bearings
- M3 threaded eyelets - Min bulkhead thickness for countersunk screws, 2mm

Contact:

www.rotalink.com
 info@rotalink.com
 T: +44 (0)1460 72000

Rotalink Limited
 Cropmead, Crewkerne
 Somerset TA18 7HQ, UK

www.rotalink.com