

# Gearboxes

Type 222

Spur Ovoid

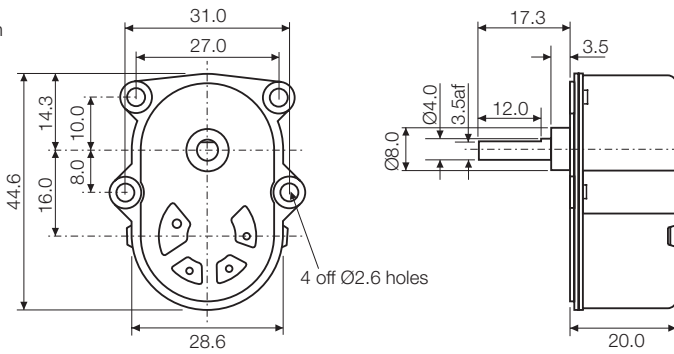
Issue 05:CN4023



# Rotalink

Miniature Motors, Transmission and Control

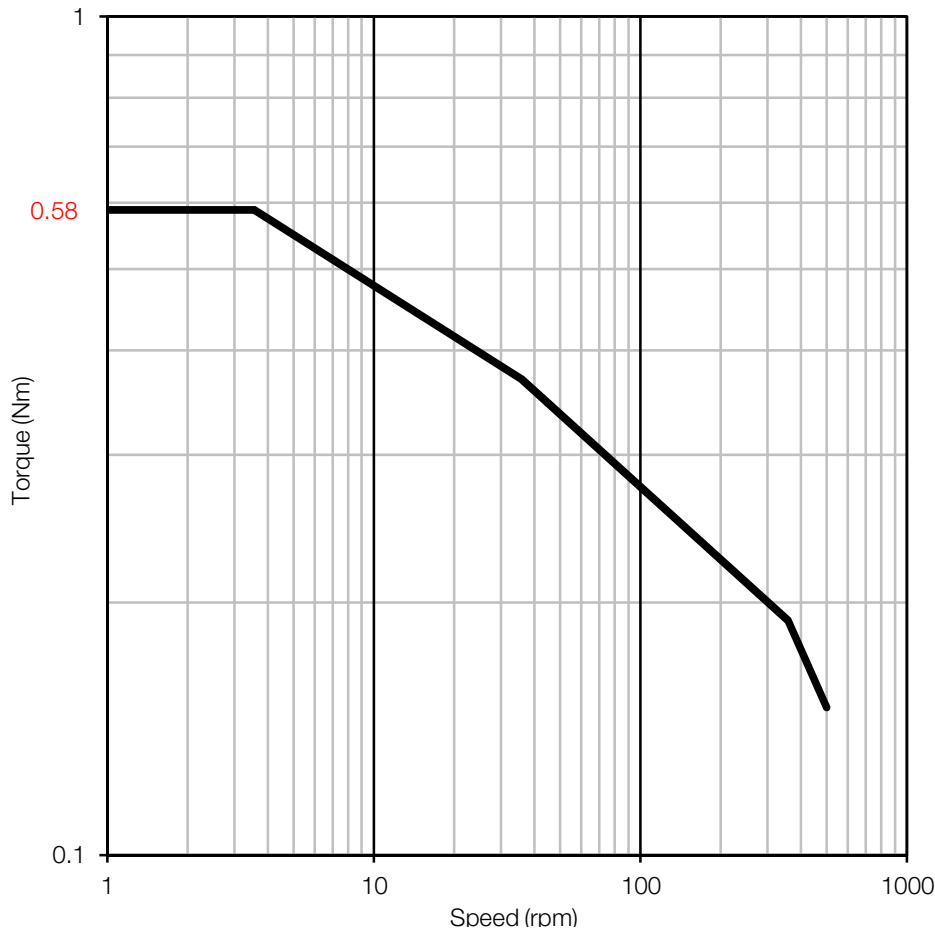
Units: mm



## Typical Ratios

7:1 (2485:348)	49:1 (440:9)
9:1 (2769:319)	61:1 (550:9)
11:1 (5254:493)	98:1 (880:9)
14:1 (2485:174)	122:1 (1100:9)
17:1 (5538:319)	196:1 (1760:9)
21:1 (10508:493)	244:1 (2200:9)
24:1 (220:9)	391:1 (3520:9)
31:1 (275:9)	782:1 (7040:9)

## Characteristics



## General Specification

Zinc plated pressed steel gearbox case and front cover with 4 point fixing. Spur gears running on fixed steel spindles. Engineering polymer gears, stainless steel shaft, sintered front and nylon back bearing.

Maximum temperature 80°C at the gearcase.

## Gearbox Options

Special shafts

M2.5 threaded eyelets - Min bulkhead thickness for countersunk screws, 2mm

## Contact:

[www.rotalink.com](http://www.rotalink.com)

[info@rotalink.com](mailto:info@rotalink.com)

T: +44 (0)1460 72000

Rotalink Limited  
Cropmead, Crewkerne  
Somerset TA18 7HQ, UK

[www.rotalink.com](http://www.rotalink.com)