

# Gearboxes

Type 223

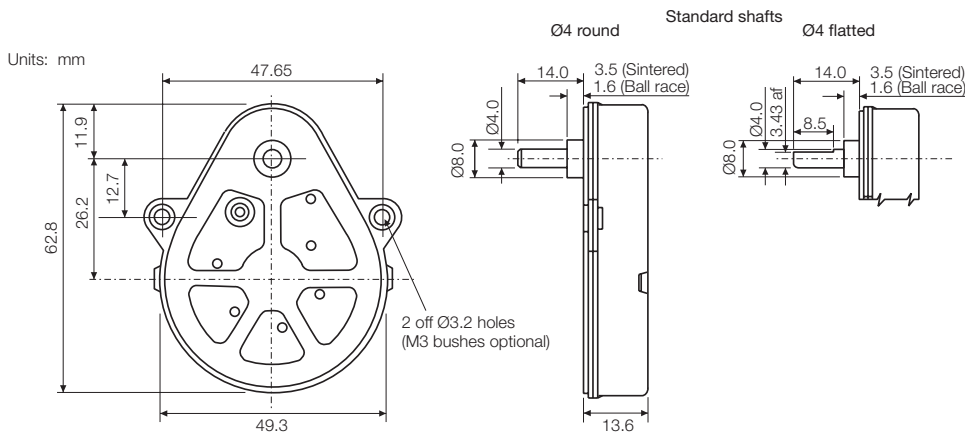
Spur Ovoid

Issue 06:CN2184



# Rotalink

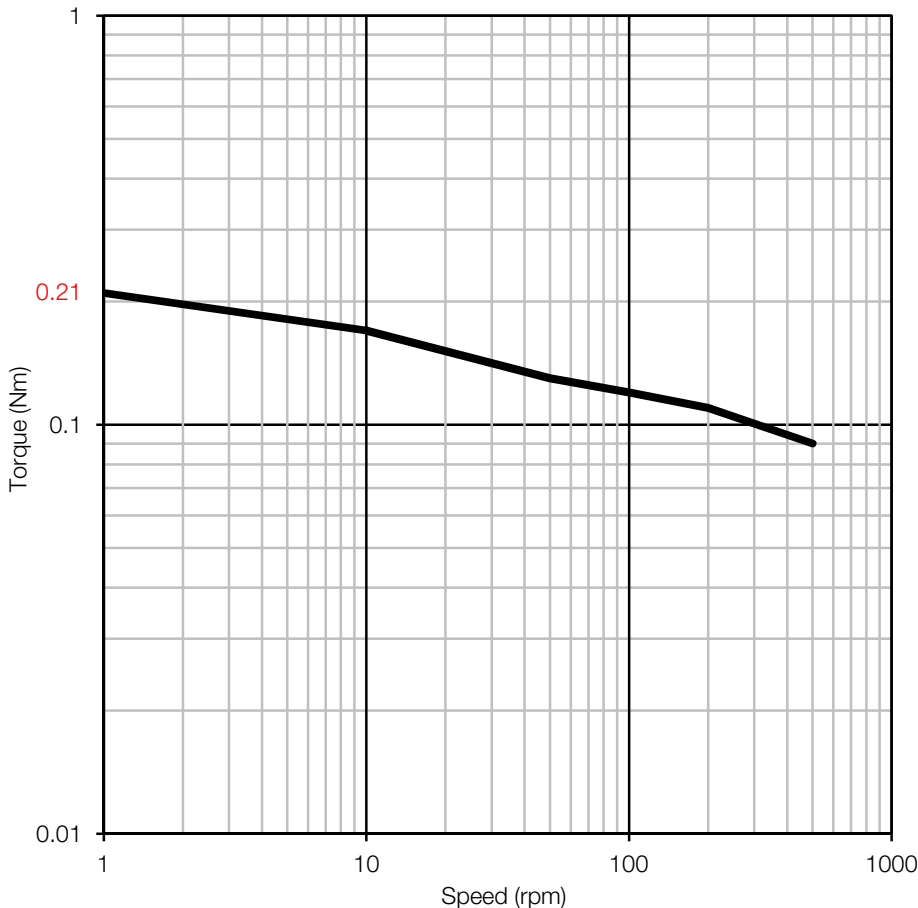
Miniature Motors, Transmission and Control



## Typical Ratios

20:1	150:1	2000:1
25:1	180:1	3000:1
30:1	200:1	3750:1
100:3	240:1	15000:1
40:1	250:1	18000:1
50:1	300:1	30000:1
60:1	400:1	45000:1
200:3	500:1	90000:1
80:1	600:1	360000:1
250:3	750:1	540000:1
100:1	800:1	720000:1
120:1	1000:1	1080000:1

## Characteristics



## General Specification

Zinc plated pressed steel gearbox case and front cover. Acetal spur gears running on fixed steel spindles. Stainless steel shaft, sintered bronze front and nylon back bearing. Maximum temperature, 80°C at the gearcase.

## Gearbox Options

Special shafts  
Ball race bearings  
M3 threaded eyelets - Min bulkhead thickness for countersunk screws, 2mm

## Contact:

[www.rotalink.com](http://www.rotalink.com)  
[info@rotalink.com](mailto:info@rotalink.com)  
 T: +44 (0)1460 72000  
 F: +44 (0)1460 74278

Rotalink Limited  
 Cropmead, Crewkerne  
 Somerset TA18 7HQ, UK

[www.rotalink.com](http://www.rotalink.com)