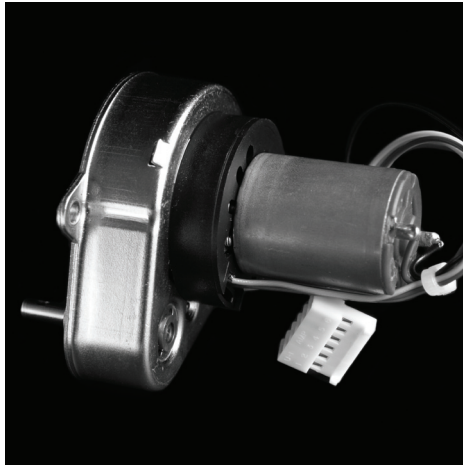


Gearboxes

Type 225H

Spur Ovoid

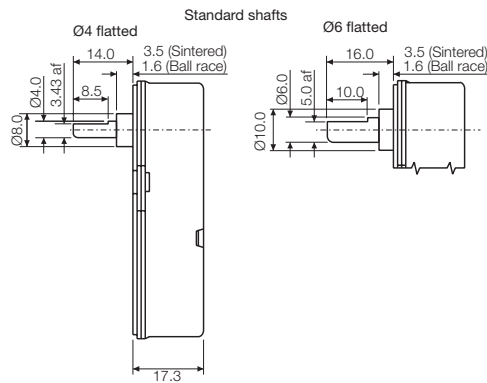
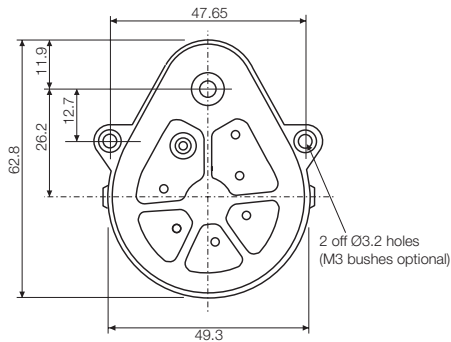
Issue 04:CN4023



Rotalink

Miniature Motors, Transmission and Control

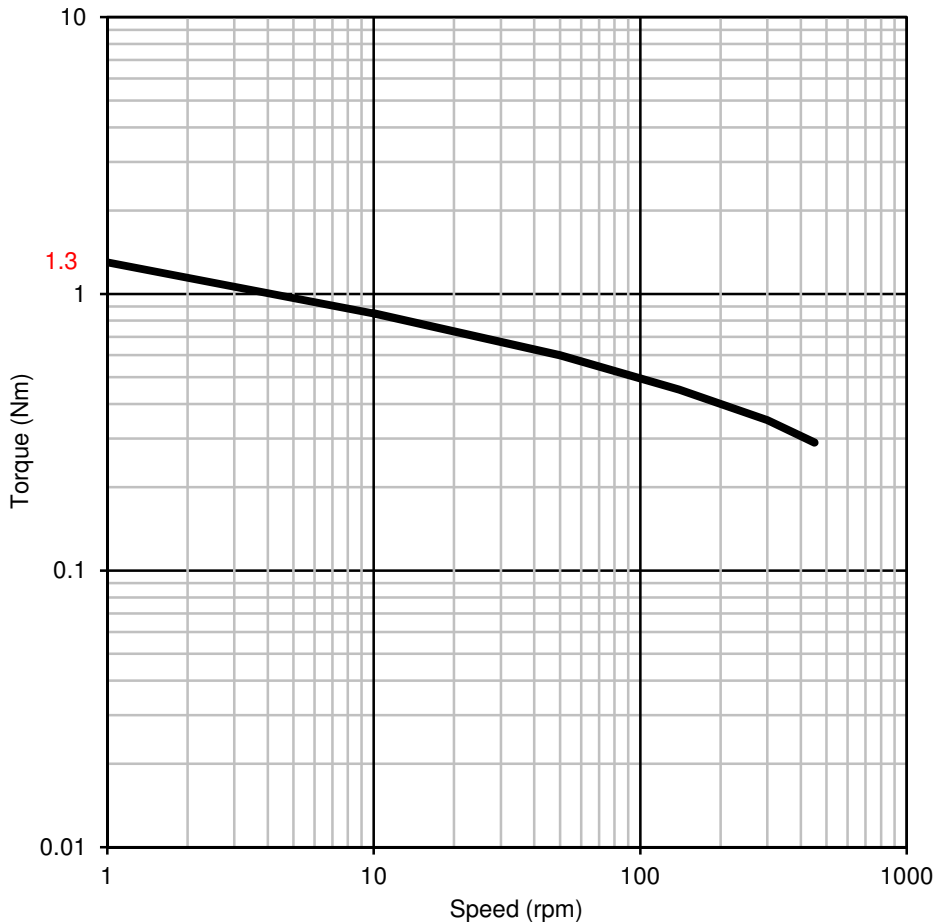
Units: mm



Typical Ratios

16:1 (1463:90)	88:1 (4389:50)
19:1 (931:50)	101:1 (25137:250)
33:1 (1463:45)	125:1 (14630:117)
37:1 (931:25)	143:1 (1862:13)
49:1 (3553:72)	162:1 (52668:325)
68:1 (7315:108)	186:1 (301644:1625)

Characteristics



General Specification

Zinc plated pressed steel gearbox case and front cover. Engineering polymer, large module spur gears running on fixed steel spindles. Stainless steel shaft, sintered bronze front and nylon back bearing. Maximum temperature 80°C at the gearcase.

Gearbox Options

Special shafts
Ball race bearings
M3 threaded eyelets - Min bulkhead thickness for countersunk screws, 2mm

Contact:

www.rotalink.com
info@rotalink.com
T: +44 (0)1460 72000

Rotalink Limited
Cropmead, Crewkerne
Somerset TA18 7HQ, UK

www.rotalink.com

This drawing and any information, descriptions and know how contained hereon (altogether "the drawing") are confidential and are the sole property of Rotalink Limited. Rotalink Limited owns all copyright, design right and all other intellectual property in the drawing and neither the drawing nor any part of it may be disclosed, loaned, copied, used for manufacturing or in relation to tenders or used for any other purpose without the express written permission of Rotalink Limited.

The contents of this data sheet are intended as reference material not product specification and are subject to alteration without prior notice. Please contact our sales team for detailed information.