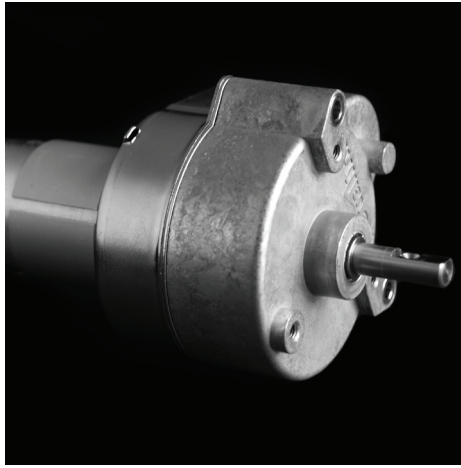


# Gearboxes

Type 228

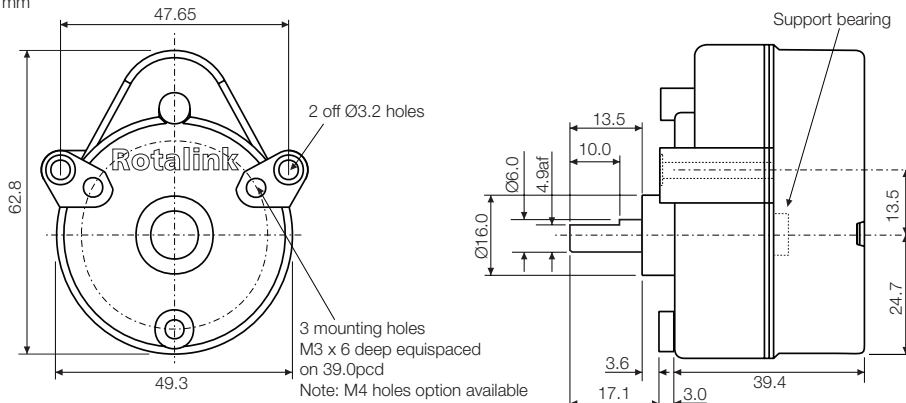
Spur Ovoid

Issue 04:CN2184



**Rotalink**  
Miniature Motors, Transmission and Control

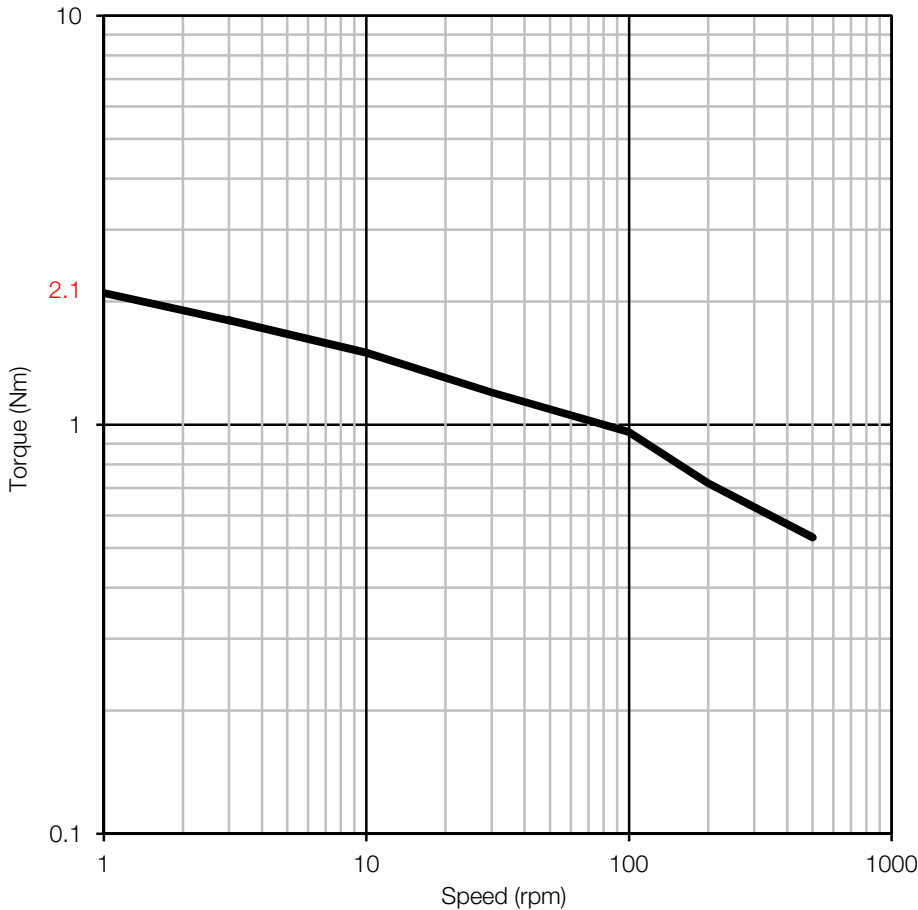
Units: mm



## Typical Ratios

200:3	500:1	2000:1
400:3	2000:3	2500:1
200:1	2500:3	10000:3
1000:3	1000:1	5000:1
2500:6	1250:1	

## Characteristics



## General Specification

Type 227 gearbox with zinc alloy secondary gearbox. Acetal spur gears, centrally placed stainless steel shaft. 227 rear nylon bearing, sintered bronze bearing at front. Maximum temperature, 80°C at the gearcase.

## Gearbox Options

Special shafts  
Ball race bearings

## Contact:

[www.rotalink.com](http://www.rotalink.com)  
[info@rotalink.com](mailto:info@rotalink.com)  
 T: +44 (0)1460 72000  
 F: +44 (0)1460 74278

Rotalink Limited  
 Cropmead, Crewkerne  
 Somerset TA18 7HQ, UK

[www.rotalink.com](http://www.rotalink.com)