

Gearboxes

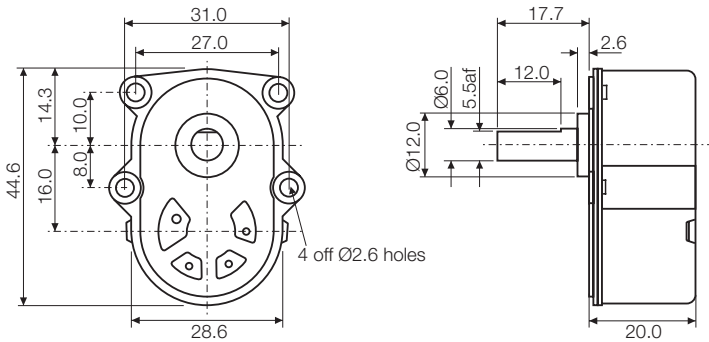
Type 310
Hybrid

Issue 03:CN2317



Rotalink
Miniature Motors, Transmission and Control

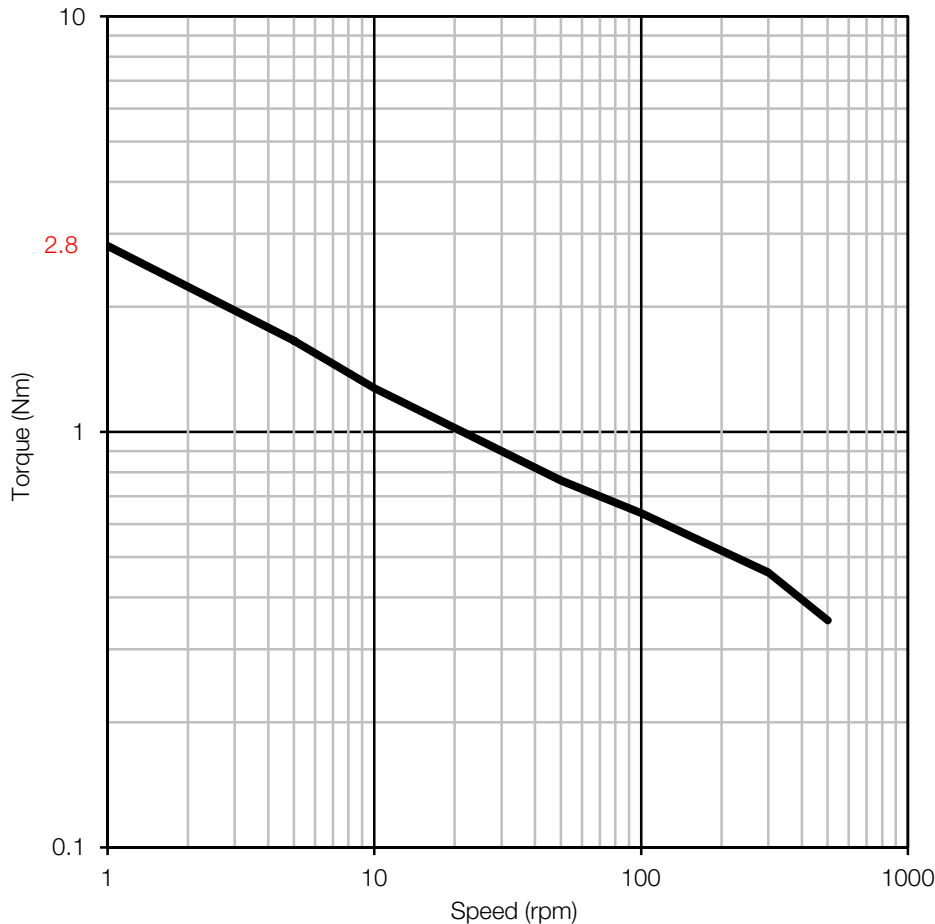
Units: mm



Typical Ratios

26:1 (8875:348)	175:1 (11000:63)
31:1 (69225:2233)	218:1 (13750:63)
38:1 (131350:3451)	349:1 (22000:63)
51:1 (8875:174)	437:1 (27500:63)
62:1 (138450:2233)	698:1 (44000:63)
76:1 (262700:3451)	873:1 (55000:63)
87:1 (5500:63)	1397:1 (88000:63)
109:1 (6875:63)	2794:1 (176000:63)

Characteristics



General Specification

Zinc plated pressed steel gearbox case and front cover with 4 point fixing. Spur gears running on fixed steel spindles leading to a planetary output stage. Ultra polymer gears, stainless steel shaft, ball race front and back bearing.

Maximum temperature, 80°C at the gearcase.

Gearbox Options

Special shafts

M2.5 threaded eyelets - Min bulkhead thickness for countersunk screws, 2mm

Contact:

www.rotalink.com
info@rotalink.com
 T: +44 (0)1460 72000
 F: +44 (0)1460 74278

Rotalink Limited
 Cropmead, Crewkerne
 Somerset TA18 7HQ, UK

www.rotalink.com