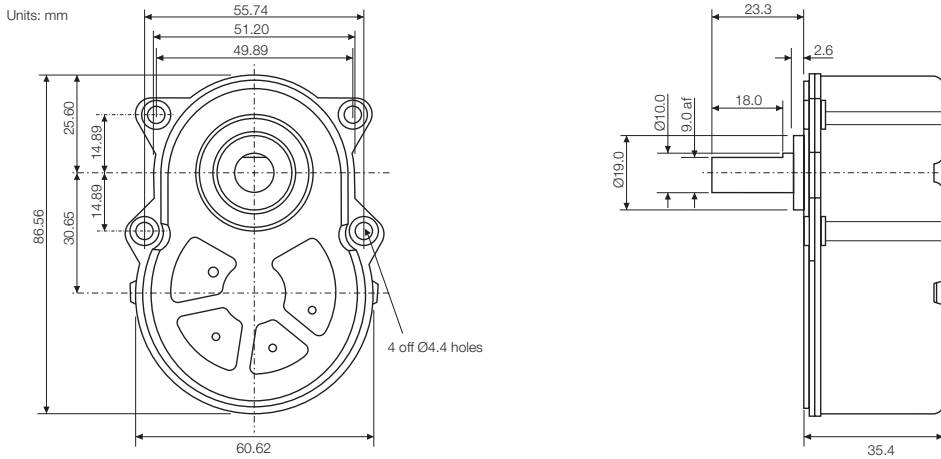


Gearboxes

Type 370

Hybrid

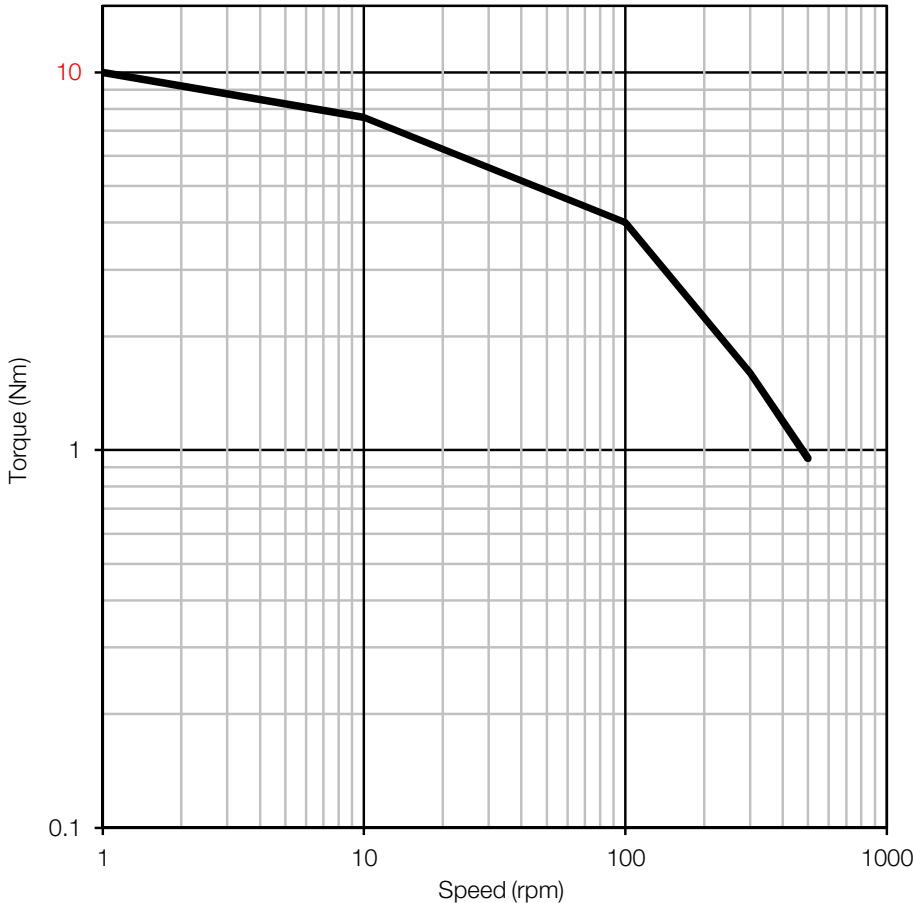
Issue 03:CN4356



Typical Ratios

16:1 (375:23)	256:1 (3325:13)
22:1 (9750:437)	320:1 (16625:52)
29:1 (2625:92)	400:1 (83125:208)
43:1 (1000:23)	639:1 (16625:26)
58:1 (760:13)	767:1 (9975:13)
80:1	1023:1 (13300:13)
128:1 (3325:26)	4092:1 (53200:13)
205:1 (2660:13)	

Characteristics



General Specification

Zinc plated pressed steel gearbox case and front cover with 4 point fixing. Spur gears running on fixed steel spindles leading to a planetary output stage. High performance gears, stainless steel shaft, ball race front and back bearing.

Maximum temperature 80°C at the gearcase.

Gearbox Options

Special shafts including keyway
 M4 threaded eyelets - Min bulkhead thickness for countersunk screws, 2.5mm
 Other non-standard ratios

Contact:

www.rotalink.com
info@rotalink.com
 T: +44 (0)1460 72000

Rotalink Limited
 Cropmead, Crewkerne
 Somerset TA18 7HQ, UK

www.rotalink.com