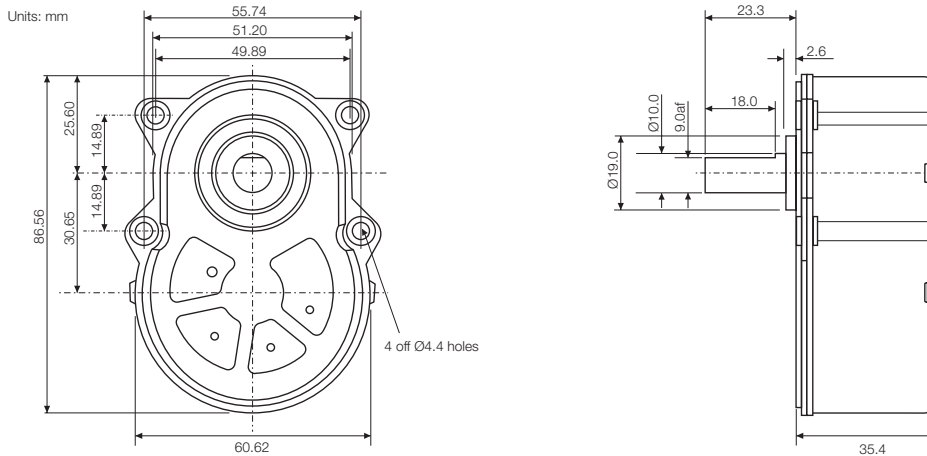


Gearboxes

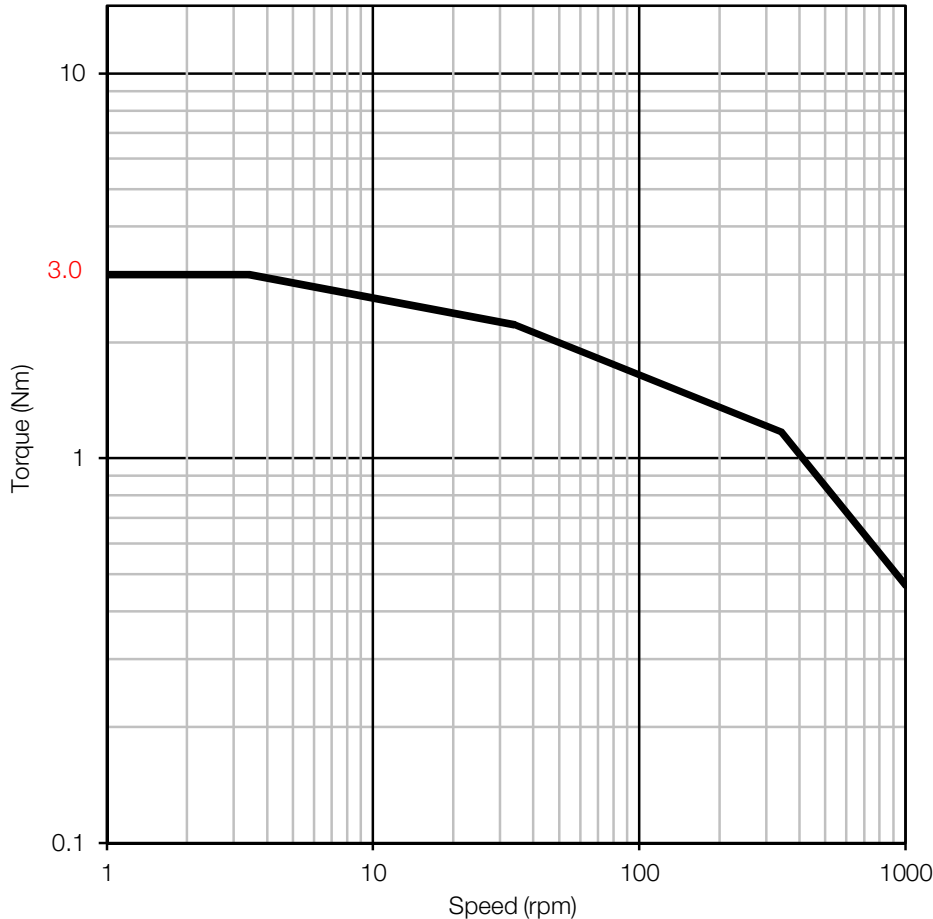
Type 372
 Spur Ovoid
 Issue 03:CN4356



Typical Ratios

5:1 (1425:299)	75:1 (12635:169)
7:1 (150:23)	96:1 (63175:676)
8:1 (9975:1196)	117:1 (315875:2704)
13:1 (3800:299)	187:1 (63175:338)
17:1 (2888:169)	224:1 (37905:169)
23:1 (304:13)	299:1 (50540:169)
37:1 (12635:338)	1196:1 (202160:169)
60:1 (10108:169)	

Characteristics



General Specification

Zinc plated pressed steel gearbox case and front cover with 4 point fixing. Spur gears running on fixed steel spindles. High performance gears, stainless steel shaft, ball race front and back bearing. Maximum temperature 80°C at the gearcase.

Gearbox Options

Special shafts including keyway
 M4 threaded eyelets - Min bulkhead thickness for countersunk screws, 2.5mm
 Other non-standard ratios

Contact:

www.rotalink.com
info@rotalink.com
 T: +44 (0)1460 72000

Rotalink Limited
 Cropmead, Crewkerne
 Somerset TA18 7HQ, UK

www.rotalink.com