

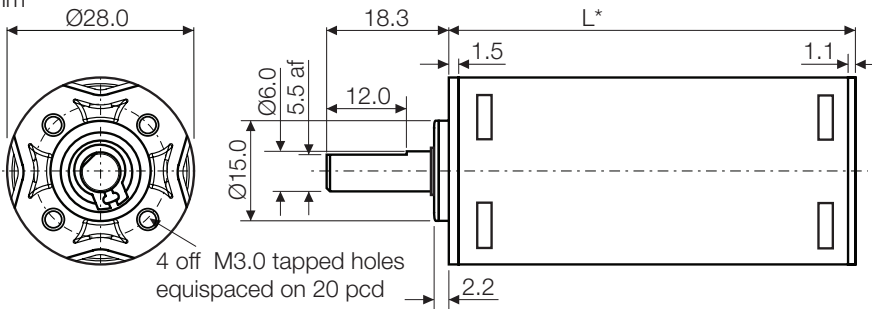
# Gearboxes

Type PG28

Planetary Polymer

Issue 06:CN4087

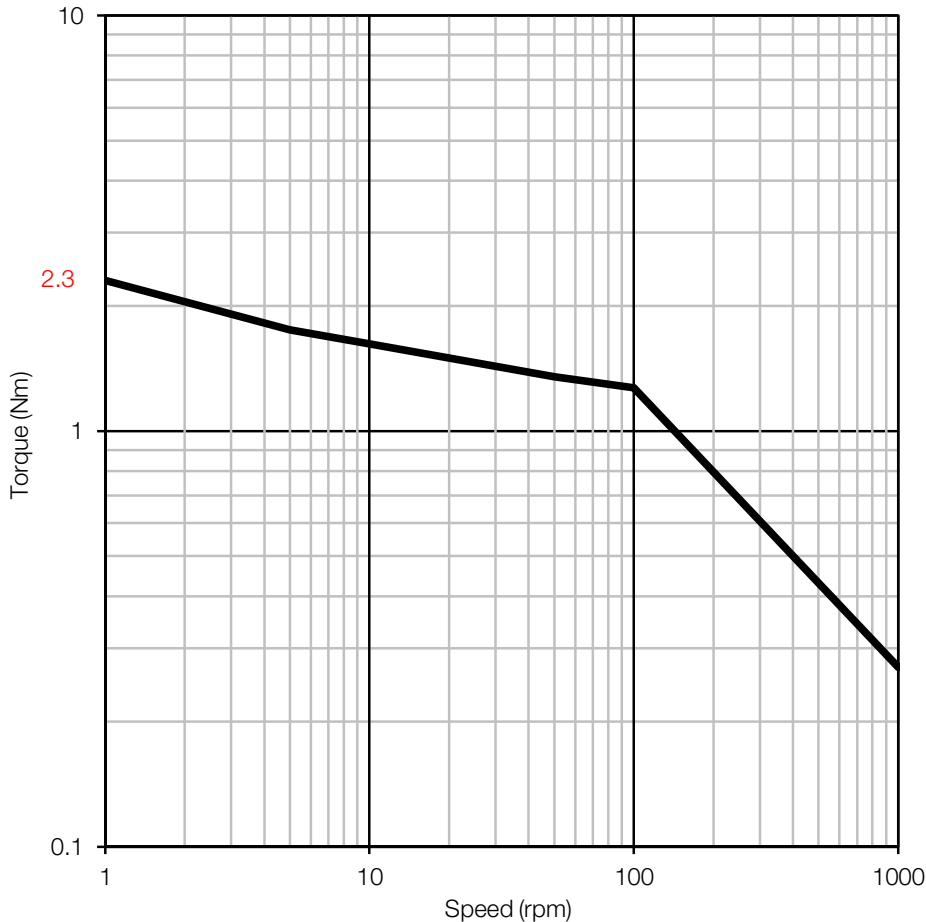
Units: mm



## Typical Ratios

4:1 (30:7)	254:1 (26624:105)
13:1 (624:49)	306:1 (14976:49)
20:1 (2640:133)	399:1 (9984:25)
38:1 (6486:1715)	476:1 (6360:133)
45:1 (6656:147)	515:1 (185856:361)
55:1 (18720:343)	622:1 (59136:95)
79:1 (27000:343)	751:1 (34265088:45619)
103:1 (720:7)	899:1 (5857280:6517)
135:1 (692224:5145)	1083:1 (49420800:45619)
162:1 (389376:2401)	1171:1 (1144967680:123823)
175:1 (5710848:32585)	1265:1 (425238528:336091)
212:1 (259584:1225)	1972:1 (1799086080:912247)

## Characteristics



## General Specification

Steel rolled cover enclosing polymer end plates with ultra polymer annulus and gears. 4 point equispaced fixings. Stainless steel shaft with ball race bearing. Maximum temperature 80°C at the gearcase.

$L^*$  (Lengths dependent on gear ratio)

4:1	- 22.6 mm
13:1 - 20:1	- 30.0 mm
38:1 - 103:1	- 37.5 mm
135:1 - 622:1	- 44.9 mm
751:1 - 1972:1	- 53.3 mm

## Contact:

[www.rotalink.com](http://www.rotalink.com)  
[info@rotalink.com](mailto:info@rotalink.com)  
 T: +44 (0)1460 72000

Rotalink Limited  
 Cropmead, Crewkerne  
 Somerset TA18 7HQ, UK

[www.rotalink.com](http://www.rotalink.com)