

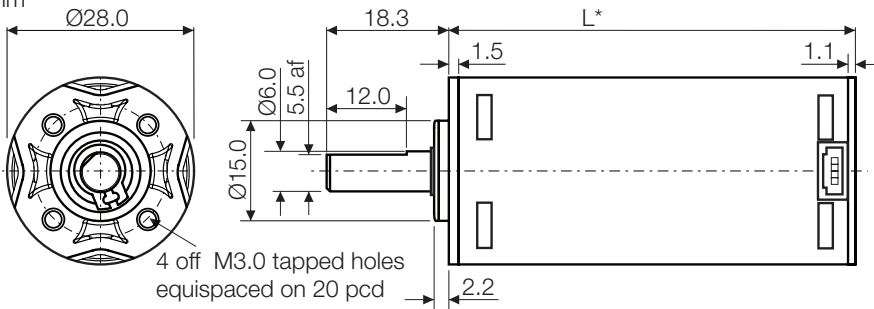
# Gearboxes

Type PG28E

Planetary Polymer

Issue 01:CN4089

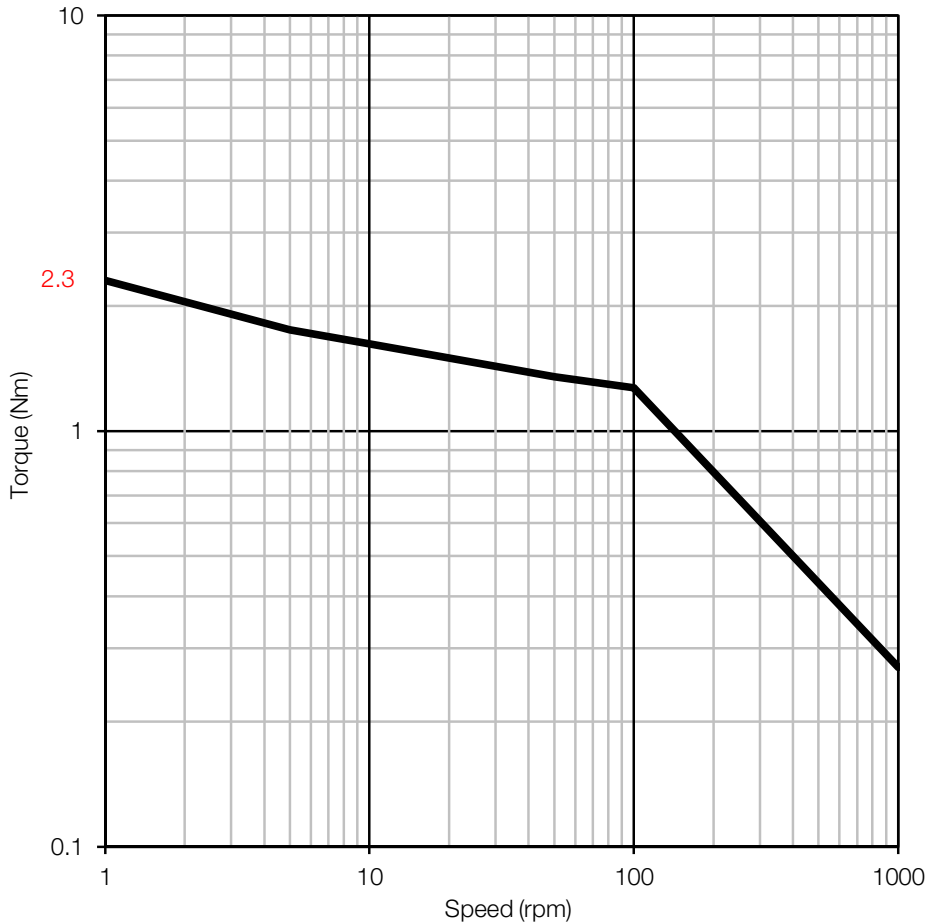
Units: mm



## Typical Ratios

4:1 (30:7)	162:1 (389376:2401)
13:1 (624:49)	175:1 (5710848:32585)
20:1 (2640:133)	212:1 (259584:1225)
38:1 (64896:1715)	254:1 (26624:105)
45:1 (6656:147)	306:1 (14976:49)
55:1 (18720:343)	399:1 (9984:25)
79:1 (27000:343)	476:1 (63360:133)
103:1 (720:7)	515:1 (185856:361)
135:1 (692224:5145)	622:1 (59136:95)

## Characteristics



## General Specification

Steel rolled cover enclosing polymer end plates with ultra polymer annulus and gears. 4 point equispaced fixings. Stainless steel shaft with ball race bearing.

Integral encoder with 4 pin connector. Maximum temperature 80°C at the gearcase.

$L^*$  (Lengths dependent on gear ratio)

4:1	- 30.0 mm
13:1 - 20:1	- 37.5 mm
38:1 - 103:1	- 44.9 mm
135:1 - 622:1	- 53.3 mm

### Contact:

[www.rotalink.com](http://www.rotalink.com)  
[info@rotalink.com](mailto:info@rotalink.com)  
 T: +44 (0)1460 72000

Rotalink Limited  
 Cropmead, Crewkerne  
 Somerset TA18 7HQ, UK

[www.rotalink.com](http://www.rotalink.com)