

# Gearboxes

Type PG42

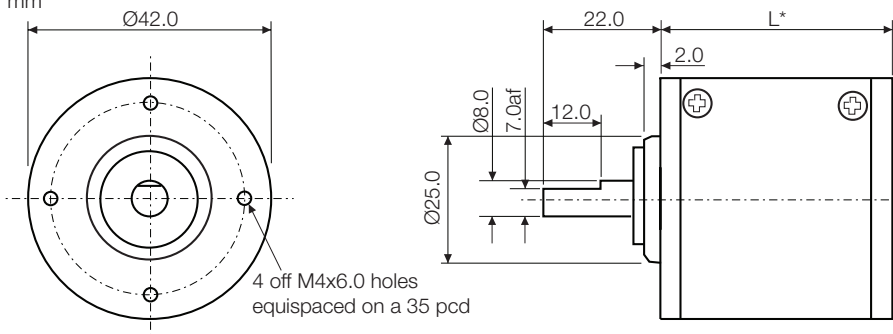
Planetary Steel

Issue 05:CN2184



**Rotalink**  
Miniature Motors, Transmission and Control

Units: mm



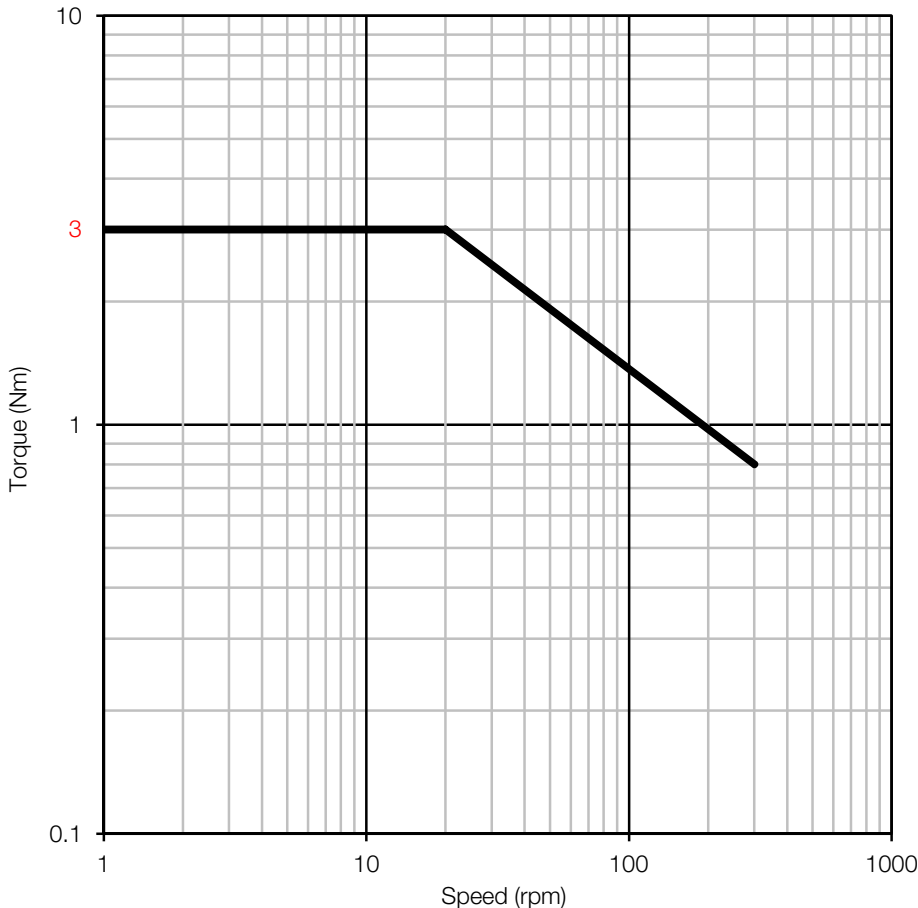
## Typical Ratios

14:1	212:1 (637:3)
24:1	294:1
49:1	504:1
84:1	720:1
104:1	1062:1 (3185:3)
144:1	1470:1

$L^*$  (Lengths dependant on gear ratio)

14:1 - 24:1	- 39.20 mm
49:1 - 144:1	- 45.90 mm
212:1 - 720:1	- 52.60 mm
1062:1 - 1470:1	- 59.30 mm

## Characteristics



## General Specification

Aluminium outer casing with die cast end plate. 4 point equispaced fixing. Steel planetary gears, stainless steel shaft with ball race bearings. Temperature range, -10 to 60°C at the gearbox.

## Gearbox Options

Wide range of alternative ratios

## Contact:

[www.rotalink.com](http://www.rotalink.com)  
[info@rotalink.com](mailto:info@rotalink.com)  
 T: +44 (0)1460 72000  
 F: +44 (0)1460 74278

Rotalink Limited  
 Cropmead, Crewkerne  
 Somerset TA18 7HQ, UK

[www.rotalink.com](http://www.rotalink.com)